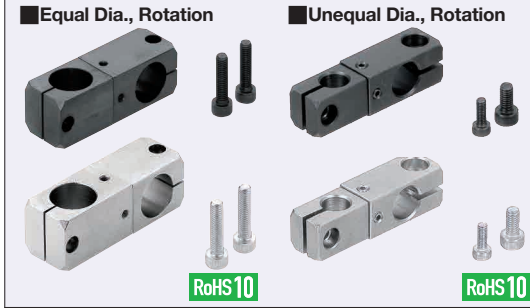


# Strut Clamps

## Equal / Unequal Dia., Rotation

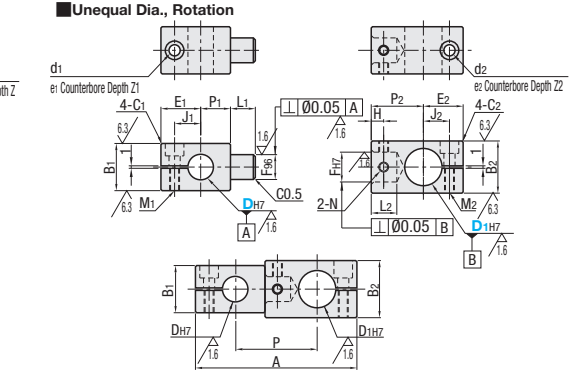
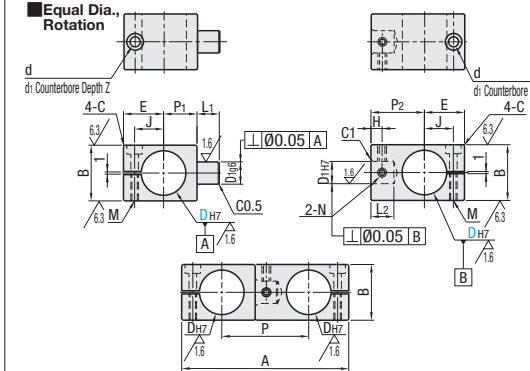
■ Features: Angle adjustments are possible between posts



Type		Material	Surface Treatment	Accessory
Equal Dia., Rotation	Unequal Dia., Rotation			
KLSR	KDSR	SS400	Black Oxide	Hex Socket Head Set Screw
MLKR	MDKR		Electroless Nickel Plating	
ALKR	ADKR	A6063	Black Anodize	
SLKR	SDKR	SUS304	-	

⚠ Accessory: CB screws (P.2-171) and MSSK (P.2-210) are included with black oxide/black anodized products, and SCB screws (P.2-173) and MSSU (P.2-210) are included with the other products, respectively.

$$\frac{6.3}{\sqrt{\frac{6.3}{1.6}}}$$



### Equal Dia., Rotation

Part Number		D <sub>1</sub>	g6		A	B	P	P <sub>1</sub>	P <sub>2</sub>	L <sub>1</sub>	L <sub>2</sub>	E	H	J	M	N	d	d <sub>1</sub>	Z	C
Type	D <sub>H7</sub>		g6	H7																
KLSR	8	5	-0.004	+0.012	42	12	19	7	12	6	6.3	11.5	3	7	M3	M3	3.5	6.0	3	2
	10				51	13	23	9	14											
MLKR	12	10	-0.005	+0.015	57	15	26	11	15	10	10.3	16.0	5	10.5	M4	M4	4.5	7.5	5	3
ALKR	15				65	19	33	12	21											
SLKR	20	10	-0.014	0	76	25	39	15	24	10	10.3	18.5	5	16	M5	M5	5.5	9.0	5.5	4
25	88				30	44	18	26	22.0											

⚠ The tolerance and perpendicularity of D<sub>H7</sub> are before slitting. ⚠ For mating, g6, f8 shaft tolerances are recommended. Tightening with a long wrench is recommended.

### Unequal Dia., Rotation

Part Number		D <sub>1H7</sub>	F	g6		A	B <sub>1</sub>	B <sub>2</sub>	P	P <sub>1</sub>	P <sub>2</sub>	L <sub>1</sub>	L <sub>2</sub>	E <sub>1</sub>	E <sub>2</sub>	H	J <sub>1</sub>	J <sub>2</sub>	M <sub>1</sub>	M <sub>2</sub>	N	d <sub>1</sub>	d <sub>2</sub>	e <sub>1</sub>	e <sub>2</sub>	Z <sub>1</sub>	Z <sub>2</sub>	C <sub>1</sub>	C <sub>2</sub>
Type	D <sub>H7</sub>			g6	H7																								
KDSR	8	5	5	-0.004	+0.012	46.5	12	13	21	7	14	6	6.3	11.5	14	3	7	9	M3	M4	M3	3.5	4.5	6	7.5	3	5	2	2
	8					49	12	15	22	7	15																		
MDKR	10	10	10	-0.005	+0.015	53.5	13	15	24	9	15	10	10.3	16	18.5	5	10.5	16	M4	M5	M4	4.5	5.5	7.5	5	5	3	4	
ADKR	15					70.5	19	25	36	12	24																		18
SDKR	15	10	10	-0.014	0	76	19	30	38	12	26	10	10.3	18.5	22	5	13	16	M4	M5	M5	4.5	5.5	7.5	9	5	5.5	3	4
20	81.5					25	30	41	15	26	18.5																		

⚠ The tolerance and perpendicularity of D<sub>H7</sub> and D<sub>1H7</sub> are the tolerances before slitting. ⚠ For the available sizes, refer to the price list. ⚠ For mating, g6, f8 shaft tolerances are recommended. Tightening with a long wrench is recommended.

Ordering Example: Part Number - D<sub>1</sub>  
 MLKR10 - 12  
 KDSR8 - 12

### Equal Dia., Rotation

D	Unit Price			
	KLSR	MLKR	ALKR	SLKR
8				
10				
12				
15				
20				
25				

### Unequal Dia., Rotation

D-D <sub>1</sub>	Unit Price			
	KDSR	MDKR	ADKR	SDKR
8-10				
8-12				
10-12				
15-20				
15-25				
20-25				

### Included Screw

D	Included Screw	
	Equal Dia., Rotation	Unequal Dia., Rotation
8	M3-8, 2 pcs.	M3-8/M4-8, 1 pc. each
10	M4-8, 2 pcs.	M3-8/M4-10, 1 pc. each
12	M4-10, 2 pcs.	M4-8/M4-10, 1 pc. each
15	M4-12, 2 pcs.	M4-12/M4-20, 1 pc. each
20	M4-20, 2 pcs.	M4-12/M5-20, 1 pc. each
25	M5-20, 2 pcs.	M4-20/M5-20, 1 pc. each