

Strut Clamps

Equal Dia., Perpendicular Configuration / Reversed

■ **Features:** Most common type of perpendicular configuration with equal diameter

- Equal Dia., Perpendicular Configuration
- Equal Dia., Perpendicular Configuration, Reversed

Type	M Material	S Surface Treatment	A Accessory
KDST KDSTK	Steel for General Structure	Black Oxide	Hex Socket Head Cap Screw
MDKT MDKTK		Electroless Nickel Plating	Hex Socket Head Cap Screw (Stainless Steel)
ALKD ALKDK	Aluminum Alloy	Black Anodize	Hex Socket Head Cap Screw
HLKD HLKDK		Clear Anodize	Hex Socket Head Cap Screw (Stainless Steel)
SLKD SLKDK	SUS304	-	Hex Socket Head Cap Screw (Stainless Steel)

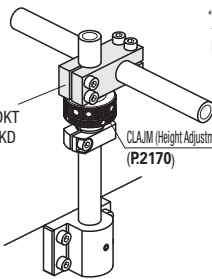
⦿ CB screws are included with the black oxide and black anodized products, and SCB screws are included with the other products.



RoHS10

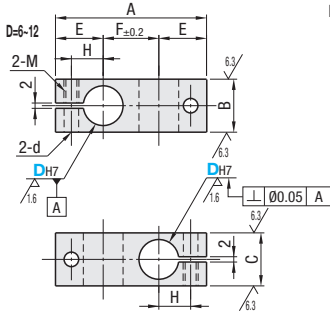


KDST, MDKT
ALKD, HLKD
SLKD

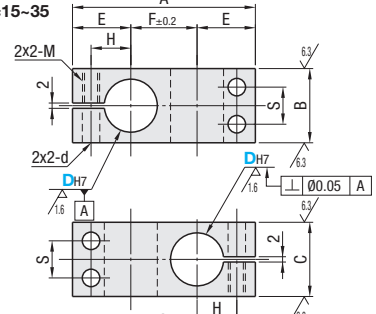


CLAJM (Height Adjustment Screw Set for Strut Clamps)
(P2170)

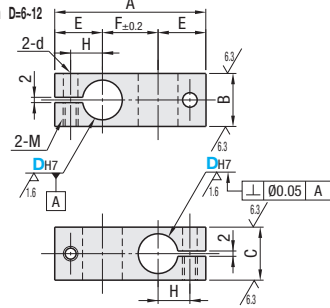
Equal Dia., Perpendicular Configuration



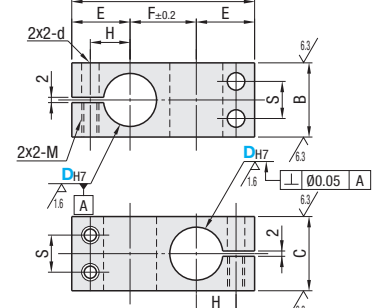
D=15-35



Equal Dia., Perpendicular Configuration Reversed



D=15-35



*The fastening screws are inserted in the opposite direction of the above Equal Dia., Perpendicular Configuration.

Part Number		DH7	A	B	C	E	F	H	S	M (Coarse)	d	
Type	Equal Dia., Perpendicular Configuration, Reversed											
Equal Dia., Perpendicular Configuration	6	+0.012	34	10	10	12	10	7	-	M4	4.5	
	8	+0.015	41	12	12	14	13	8	-			
	10	0	45	16	16	15	15	9	-			
	KDST MDKT ALKD HLKD SLKD	12	+0.018	49	16	16	16	17	10	-	M5	5.5
		15	0	57	22	22	18	21	12	11		
		16	0	57	22	22	18	21	12	11		
20		+0.021	69	28	28	22	25	15	14	M6	6.6	
25		0	83	32	32	25	33	18	16			
30		0	95	40	40	29	37	21	20	M8	9	
35		+0.025	107	45	45	32	43	24	24			

- ⦿ D Dimension for SLKD and SLKDK is available up to 30.
- ⦿ The tolerance and perpendicularity of DH7 are before slitting.
- ⦿ For mating, g6, f8 shaft tolerances are recommended. Tightening with a long wrench is recommended.
- ⦿ D Dimension 6 is not available for ALKD, ALKDK, HLKD, HLKDK, SLKD and SLKDK.
- ⦿ D Dimension 16 is not available for HLKD and Reversed Type.

Ordering Example	Part Number
	KDST20

Included Screw

D	Unit Price									
	Equal Dia., Perpendicular Configuration				Equal Dia., Perpendicular Configuration, Reversed					
	KDST	ALKD	MDKT	HLKD	SLKD	KDSTK	ALKDK	MDKTK	HLKDK	SLKDK
6										
8										
10										
12										
15										
16										
20										
25										
30										
35										

D	Included Screw
6	M4-10, 2 pcs.
8	M5-12, 2 pcs.
10	M5-15, 2 pcs.
12	M5-15, 2 pcs.
15	M5-20, 4 pcs.
16	M5-20, 4 pcs.
20	M6-25, 4 pcs.
25	M6-30, 4 pcs.
30	M8-35, 4 pcs.
35	M8-40, 4 pcs.