

Round Strut Clamp

Equal Dia., Perpendicular Configuration

Application for design registration

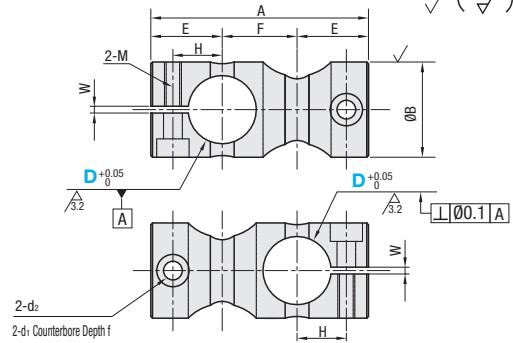
Features: Round strut clamp with highly efficient workability, capable of easy clamping by providing flats around the shaft bore. Maximum of 44% price reduction is possible compared to similar products (on the right page).

Equal Dia., Perpendicular Configuration



Type	Material	Surface Treatment	Accessory
C-KDST	S45C	Black Oxide	Hex Socket Head Cap Screw (Black Oxide)
C-MDKT	Equivalent	Electroless Nickel Plating	Hex Socket Head Cap Screw (Stainless Steel)
C-ALKD	Aluminum Alloy	Black Anodize	Hex Socket Head Cap Screw (Black Oxide)
C-HLKD		Clear Anodize	Hex Socket Head Cap Screw (Stainless Steel)

CB screws are included with the black oxide and black anodized products, and SCB screws are included with the other products.

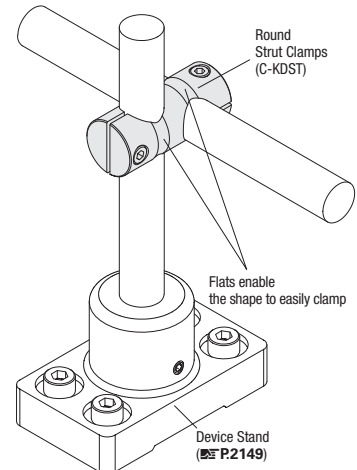


Part Number	Type	D	A	B	E	F	H	W	M (Coarse)	Counterbore		
										d1	d2	f
Equal Dia., Perpendicular Configuration C-KDST C-MDKT C-ALKD C-HLKD		6	33	12	12.5	8	7.5	1	M3	6.5	3.4	3.3
		8	40	14	15	10	9	1	M4	8	4.5	4.4
		10	44	16	16	12	10	2	M4	8	4.5	4.4
		12	47	18	16.5	14	10.5	2	M4	8	4.5	4.4
		15	55	22	19	17	12.5	2	M5	9.5	5.5	5.4
		20	64	28	21	22	14.5	2	M5	9.5	5.5	5.4
		25	77	32	25	27	17.5	2	M6	11	6.6	6.5
	30	87	38	27.5	32	20	2	M6	11	6.6	6.5	

- There is no D dimension 6 for C-KDST and C-MDKT.
- There is no D dimension 30 for C-ALKD and C-HLKD.
- The tolerance and perpendicularity of $D^{+0.05}$ are before slitting.
- For mating, g6, f8 shaft tolerances are recommended.
- For overview of round strut clamp, refer to **P2162**

Ordering Example **Part Number**
C-KDST20

ex Example



D	Unit Price			
	C-KDST	C-MDKT	C-ALKD	C-HLKD
6	-	-		
8				
10				
12				
15				
20				
25				
30				

Included Screw

D	Included Screw	2 pcs.
6	M3- 8	
8	M4- 8	
10	M4-10	
12	M4-12	
15	M5-15	
20	M5-20	
25	M6-22	
30	M6-30	