

Indicator Mounts / Dial Holders

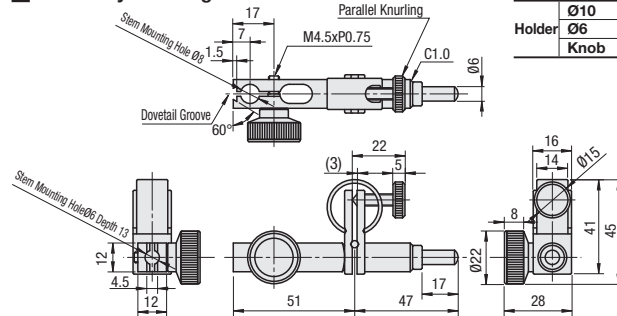
Indicator Mounts



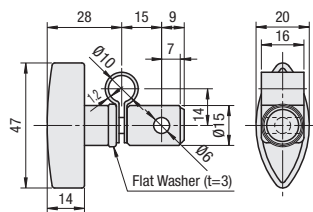
RoHS10

MGNBSK

Main Body of Fitting

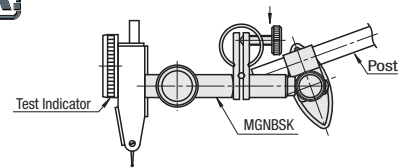


Holder



Example

Tip angle can be adjusted by turning the knurl.



Name of Parts	M Material	S Surface Treatment	A Accessory
Main Body of Fitting	SUM22	Black Oxide	Reducer 1 pc.
Holder	Ø10	SK5	Black Oxide
	Ø6	SUM22	Black Oxide
	Knob	ABS	-
			(for Conversion from Ø8 to Ø6)

Part Number	Weight (g)	Unit Price	Volume Discount Rate
		1 ~ 9 pc(s).	10 ~ 20 pcs.
MGNBSK	170		

For orders larger than indicated quantity, please check with WOS.

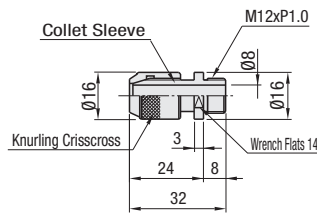
Features: As the dial holder is attached by clamping the spindle of the dial gauge with a collet-shaped sleeve, mounting does not damage the spindle.

Dial Holders



RoHS10

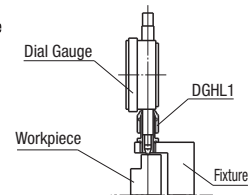
DGHL1



Name of Parts	M Material	S Surface Treatment	
		Knob	Collet
Dial Holders	SUP6 (Spring Steel)	Chrome Plating	Sandblasted Finish



Example



Part Number	Unit Price	Volume Discount Rate
	1 ~ 9 pc(s).	10 ~ 20 pcs.
DGHL1		



Ordering Example

Part Number
MGNBSK
DGHL1

For orders larger than indicated quantity, please check with WOS.



Example



Example

Combination of these app. examples can be selected on our website.

Selection Procedure Details P87

e-Catalog Search Keyword

#MA541 Search

#MA542 Search

*Enter the search keyword in the search box on e-Catalog. The search result will be shown in "Modular Assembler" area.

*Enter the search keyword in the search box on e-Catalog. The search result will be shown in "Modular Assembler" area.

