


# Accessories for Dovetail Slide Stages

## Base / Shaft / CCD Camera Adapter / Holder

■ **Features:** Accessories can be combined with dovetail stages to form a variety of Post Mounted Stages.

**Base for Stages**



• Base Plates to connect the Dovetail Stages (P1906, 1904, 1900, 1901) and XPST1, 2, 3 (below).  
• For applicable stages, see the table below.

**XPPT1**  
2-Ø4.5, 24.8, 11, 50, 36, 22, 4-Ø3.5, Ø6 Counterbore, Depth 8, M12xP1.0, 4-C2


**XPPT2**  
2-M4, 24.8, 50, 22, 36, Ø6 Counterbore, Depth 5.4, M12xP1.0, 4-C2

**XPPT3**  
4-C2, 40, 4-M4, 50, 22, 25, 20, M12xP1.0, Ø6 Counterbore, Depth 5.4

**Example**  
XPPT1, XPST2

Material: Aluminum Alloy, Surface Treatment: Black Anodize

**Shaft for Stages (Ø12)**



RoHS 10


**XPST1** (L=241.5), **XPST2** (L=51.5)

M12xP1.0, Ø23.8, 8.5, 10, L, Ø12

**Example**  
XPPT2, XPST2, XSP50

Material: SUS303, Low Cadmium Brass, Surface Treatment: Nickel Chrome Plating

**Shaft for Stages (with Lever)**



RoHS 10

**XPST3**

(21.5), 77, 24.5, Ø12, Ø35, 51.5, 180°, 2.9, 22, 24.8, 2-M4, Depth 4

**Example**  
XSL60, XPST3

Material: SUS303, Low Cadmium Brass, Surface Treatment: Nickel Chrome Plating, Accessory: SCB4-8 (2 pcs.)

Ordering Example

Part Number
XPPT1
XPST1
XPST3


Part Number	Applicable Stage	Accessory: Type M-L (Qty.)	Unit Price
Type	No.		1 ~ 10 pc(s).
XPPT	1	XSSL, XSSLc	SCB4-8 (2 pcs.), SCB3-6 (4 pcs.)
	2	XSP	SCB4-8 (4 pcs.)
	3	XSL, XSLc, XSB	SCB4-8 (6 pcs.)

Part Number	Unit Price
Type	1 ~ 10 pc(s).
XPST	1
	2
	3

⊗ Not compatible with XSC.

■ **Features:** Common to all camera manufacturers.

**CCD Camera Adapters**



RoHS 10

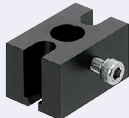
**STL-A**

1/4-20UNC, 4.5, 21, Ø12

Material: SUS303

**Example**  
STL-A, STLH

**CCD Camera Holder**



RoHS 10

**STLH**

25, 22, 38, 25, 10.2, 8, 2-4.5, 2-8, M5x12, 3.6, (For STL-A Clamp)

Can be combined with XWG (P.1904), XYWG (P.1939), ZWG (P.1954), XLWG (P.1908), ZLWG (P.1956), REG (P.1981) and other Dovetail Slide Stages.

Part Name	Material	Surface Treatment
Body	Aluminum Alloy	Black Anodize
Screw	SUSXM7	-

Accessory: SCB4-8 (2 pcs.), Flat Washers (2 pcs.)

**Example**  
XSSL50, XPPT1, XPST2, STL-A, STLH

Ordering Example

Part Number
STL-A
STLH

Part Number	Unit Price	Volume Discount Rate
STL-A	1 pc.	2, 3 pcs. 4 - 10 pcs.

Part Number	Unit Price
STLH	1 ~ 10 pc(s).

**Example**

