


# [High Precision] XY-Axis, Rotary, Feed Screw / [High Precision] Dovetail Slide, Feed Screw

**Features:** Compact Sized and Integrated Type Stages rotatable and slidable based on XY-Axis.

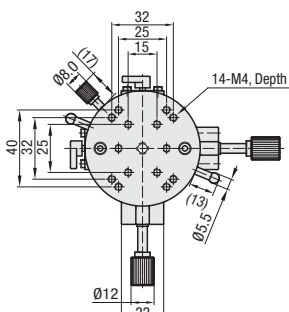
**XY-Axis + Rotary**



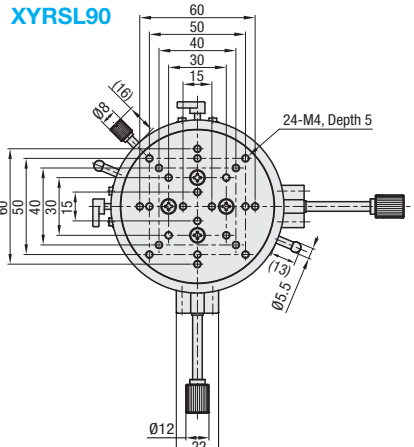
Scale is provided with the actual product.  
For specifications, see Specification Diagram.

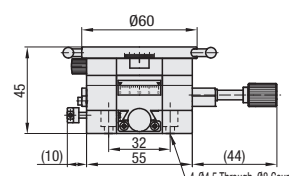
**RoHS 10**

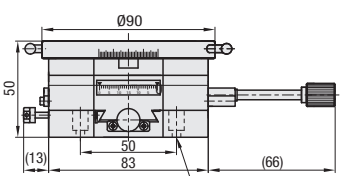
**XYRSL60**



**XYRSL90**








**M** Material: Aluminum Alloy  
**S** Surface Treatment: Black Anodize

Part Number		Stage Surface (mm)	Travel Distance (mm)	Travel per Rotation (mm)	Load Capacity (N)	Straightness (µm)	Weight (kg)	Unit Price
Type	No.							
XYRSL	60	Ø60	XY: ±21 360° Rotation	4.2	34.3	30	0.39	
	90	Ø90	XY: ±35 360° Rotation					

Ordering Example **Part Number**  
XYRSL60

**Features:** XZ-Axis dovetail slide stages with 15mm thickness. Shipped orthogonally aligned to ease customer's assembly steps.

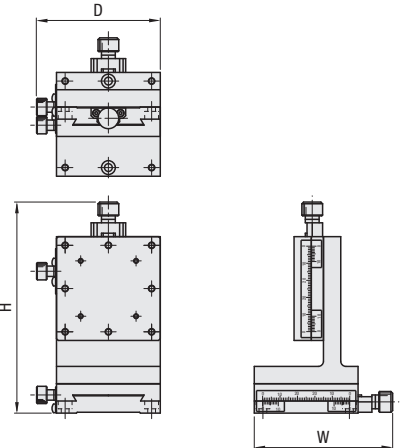
**XZ-Axis Feed Screw (Lead 0.5mm)**



X-Axis **P.1897**  
Z-Axis **P.1962**

**RoHS 10**

**XZEG**



**M** Material: (Main Body) Low Cadmium Brass  
 (Feed Knob) Aluminum  
**S** Surface Treatment: Black Fluororesin Treatment

Standard Stages with Similar Specifications: Combination of XFES (P.1896) and ZFES (P.1961)

Part Number Type	No.	Stage Configuration		Stage Surface (mm)	External Dimension (mm)			Travel Distance (mm)		Load Capacity (N)	Weight (kg)	Accessory (4 pcs.) Type M-L	Unit Price
		Bottom	Top		W	D	H	X	Z				
XZEG	25	XEG25	ZEG25	25x25	45	31.7	72.5	±5	±5	9.8	0.17	SCB2-8	
	40	XEG40	ZEG40	40x40	60	46.7	95.0	±7	±7				
	60	XEG60	ZEG60	60x60	80.5	71.8	122.5	±9	±9				

For dimension details, see the CAD data and the catalog page for each stage. (XEG: P.1897, ZEG: P.1962)

Ordering Example **Part Number**  
XZEG25