

Points on Similar Product Comparison | Travel Accuracy (Straightness) 50-60µm

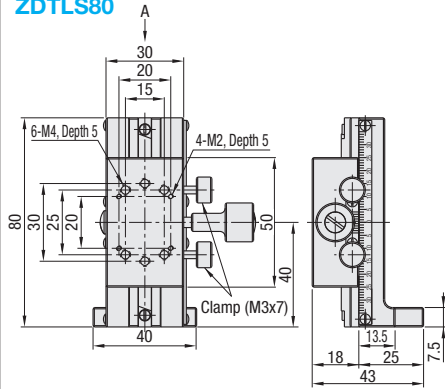
Similar Product Pages P.1956

Features: Economically priced long stroke Rack & Pinion stages.

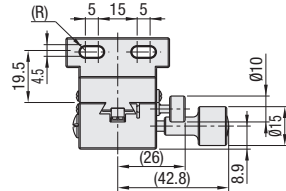
Z-Axis, Long



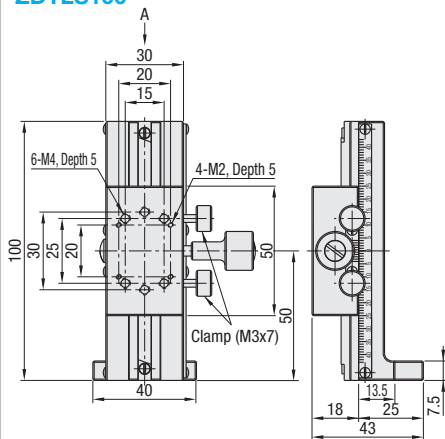
ZDTLS80



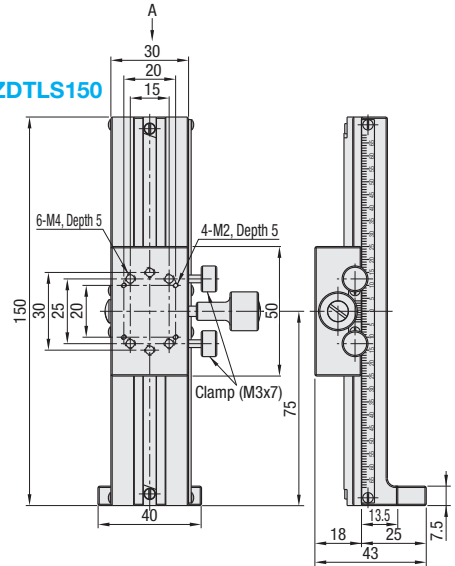
Arrow View A



ZDTLS100



ZDTLS150



X-Axis P.1907

RoHS 10

M Material: Aluminum Alloy
S Surface Treatment: Black Anodize

Z-Axis Stages

High Precision Stage Existing Product: ZLWG (P.1956)

Part Number	Stage Surface	Travel Distance	Travel per Rotation	Load Capacity	Travel Accuracy	Weight	Unit Price
Type	No.	(mm)	(mm)	(N)	Straightness	(kg)	
ZDTLS	80	30x50	±30	16.7	14.7	50µm	0.16
	100		±35				0.19
	150		±65				0.24

Resolution (Vernier Scale Indication): 0.1mm/division

Knob Cover HDCVR15 (Sold Separately): Ø15 knobs can be increased in diameter by installing the cover. P.2004



Ordering Example

Part Number
ZDTLS100



Example Welding Head Tip Adjustment Unit Lift Cylinder

