

Points on Similar Product Comparison | Travel Accuracy (Straightness) 50µm

Similar Product Pages P.1954

**Features:** Rapid feed Rack & Pinion stages with less accuracy and more economical prices than existing products.

### Z Axis, Rectangular

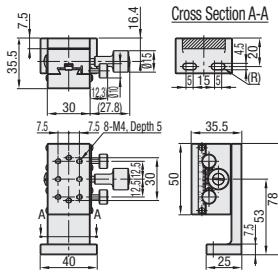


X-Axis P.1903  
Y-Axis P.1938

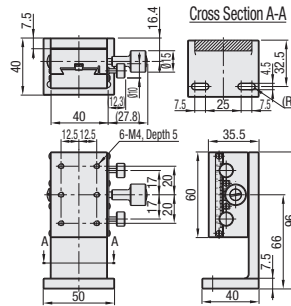
RoHS 10

M Material: Aluminum Alloy  
S Surface Treatment: Black Anodize

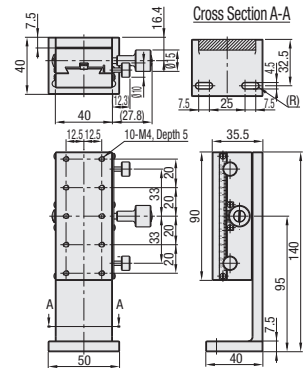
#### ZDTS50



#### ZDTS60



#### ZDTS90



### Z-Axis Stages

High Precision Stage Existing Product: ZWG (P.1954)

Part Number Type	A	Stage Surface (mm)	Travel Distance (mm)	Travel per Rotation (mm)	Load Capacity (N)	Travel Accuracy	Weight (kg)	Unit Price
						Straightness		
ZDTS	50	30x50	±16	16.7	14.7	50µm	0.26	
	60	40x60	±21		19.6		0.38	
	90	40x90	±35		0.51			

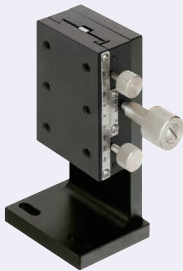
Resolution (Vernier Scale Indication): 0.1 mm/division

Knob Cover HDCVR15 (Sold Separately): Ø15 knobs can be increased in diameter by installing the cover. P.2004

Ordering Example  
Part Number  
ZDTS90

**Features:** Rapid Feed Rack & Pinion Stages with Low Profile. Stage thickness except the bottom plate is 20mm.

### Z-Axis Low Profile

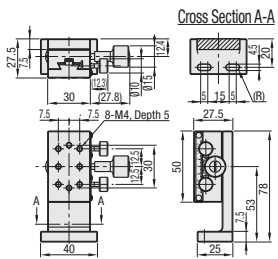


X-Axis P.1903  
Y-Axis P.1938

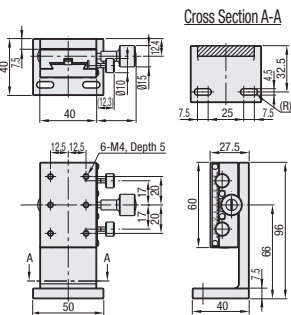
RoHS 10

M Material: Aluminum Alloy  
S Surface Treatment: Black Anodize

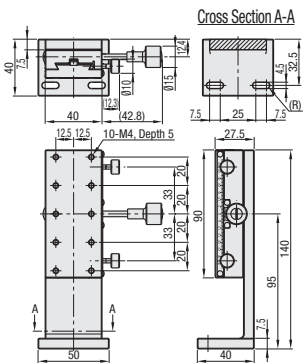
#### ZDTS50



#### ZDTS60



#### ZDTS90



### Z-Axis Stages

Standard Type: ZDTS (P.1953)

Part Number Type	A	Stage Surface (mm)	Travel Distance (mm)	Travel per Rotation (mm)	Load Capacity (N)	Travel Accuracy	Weight (kg)	Unit Price
						Straightness		
ZDTS	50	50x30	±15	16.7	9.8	50µm	0.23	
	60	60x40	±20		14.7		0.33	
	90	90x40	±35		0.43			

Resolution (Vernier Scale Indication): 0.1 mm/division

Knob Cover HDCVR15 (Sold Separately): Dovetail Stage Ø15 knobs can be increased in diameter by installing the cover. P.2004

Ordering Example  
Part Number  
ZDTS60