

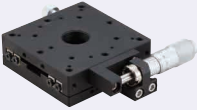
[High Precision] X-Axis Cross Roller Micrometer Head

■ **Features:** High precision lightweight X-Axis Stages with Cross Roller slides.

■ **X-Axis**

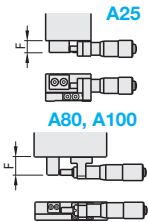
RoHS 10

XPG

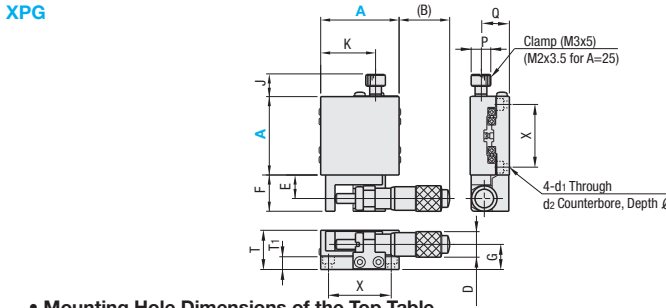


XY-Axis **P.1943**
Z-Axis **P.1968**

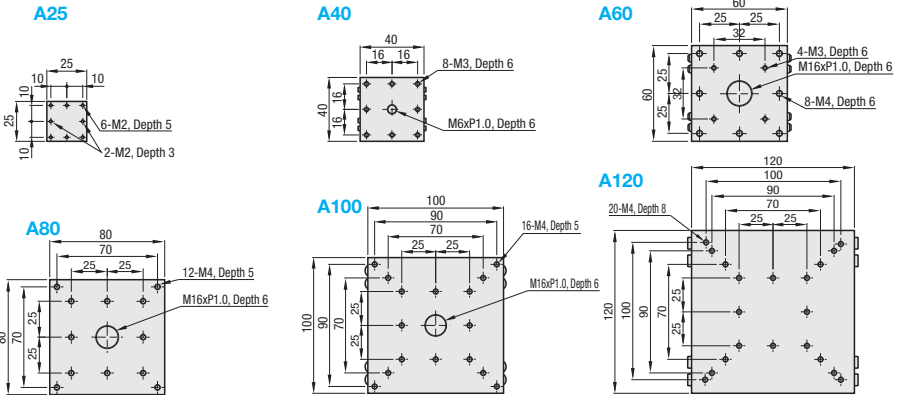
⚠️ A25, 80, and 100 have different feed bracket configuration.



👁️ See the CAD data for details.



• **Mounting Hole Dimensions of the Top Table**



M Material: Aluminum Alloy
S Surface Treatment: Black Anodize

⚠️ Standard Stages Similar Products (available for limited sizes only): XCRS (P.1917)

Part Number Type	Top View		Front View								Side View						
	A	(B)	Travel Distance (mm)	E	F	J	K	D	G	T	T ₁	P	Q	X	d ₁	d ₂	ℓ
XPG	25	25	±3.2	4.5	6.5	6.6	15.0	9.3	8.5	15	4.5	6	10.5	20	2.5	4.75	2.0
	40	26	±6.5	12.0	18.5	11.3	28.0	13.0	12.8	20	6.5	10	14.5	32	3.5	6.0	3.5
	60	19.8		12.0	18.5	11.3	42.5	13.0	12.8	20	6.5	10	14.5	50	4.5	8.0	4.0
	80	43.5		17.0	22.0	11.3	55.0	18.0	10.8	20	5.7	10	14.5	70	4.5	8.0	4.5
	100	28.5	±12.5	17.0	22.0	11.3	67.5	18.0	10.8	20	5.7	10	14.5	90	4.5	8.0	4.5
	120	67.5	±25	13.0	20.0	11.5	67.5	21.0	18.0	30	9.5	10	18.0	100	4.5	8.0	4.5

• **Performance**

A	Stage Surface (mm)	Load Capacity (N)		Travel Accuracy			Moment Load Capacity (N-m)			Moment Rigidity (N/cm)			Parallelism	Weight (kg)	Accessory (4 pcs.) Type	Unit Price	
		Horizontal	Vertical	Straightness	Motion Parallelism	Pitching	Yawing	Pitching	Yawing	Rolling	Pitching	Yawing					Rolling
25	25x25	9.8	4.9	3μm	10μm	30"	30"	1.1	0.8	0.4	3.03	2.85	1.80	30μm	SCB2-6	0.04	
40	40x40	19.6	9.8			25"	15"	2.7	2.2	2.0	0.38	0.42	0.28				0.14
60	60x60	49.0	19.6			30"	30"	5.2	4.3	5.5	0.12	0.11	0.07				0.25
80	80x80	98.0				50"	30"	19.2	15.1	17.3	0.05	0.05	0.04				0.50
100	100x100	147.0	49.0					36.0	30.0	33.0	0.06	0.07	0.05				0.70
120	120x120	196.0						57.2	44.7	66.7	0.03	0.02	0.01				1.60

⚠️ Micrometer Head Resolution: 10μm/division, Travel per Rotation: 0.5mm

Ordering Example: Part Number XPG60

Alterations: Part Number XPG40 - (CR, CZ, A--etc) CZ

Alterations	Micrometer Head Position			No Micrometer Head
Spec.	Side Mount - Right/Left Reversed	Side Mount - Top/Bottom Reversed*	Center	No Micrometer Head
Code	CR	CZ	A	MN

* CZ: Attach Micrometer on the upper table (Standard Type has them attached to the bottom plate).
 ⚠️ Mounting dimensions of micrometer head, feed screw and clamp are different from those of standard products. See the CAD data for details.
 ⚠️ When other micrometer head mounting positions are desired, select from the "Specification Selectable Type" on P.1989.
 ⚠️ Knob Cover HDCVR13 (Sold Separately): Ø13 micrometer knob diameter can be increased by installing the cover. P.2004
 ⚠️ Extension Cover HDEX113 (Sold Separately): Feed knob of Ø13 micrometer head and feed screw can be extended. P.2004