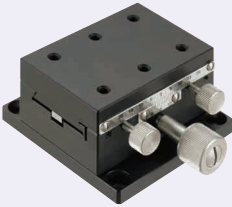


Points on Similar Product Comparison | Travel Accuracy (Straightness) 50µm

Similar Product Pages P.1903, 1904

Features: Rapid feed Rack & Pinion stages with less accuracy and more economical prices than existing products.

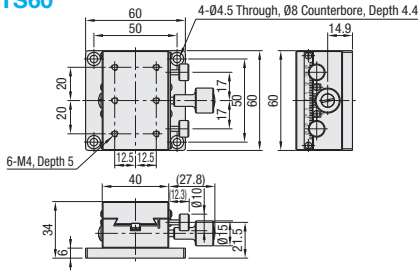
X-Axis



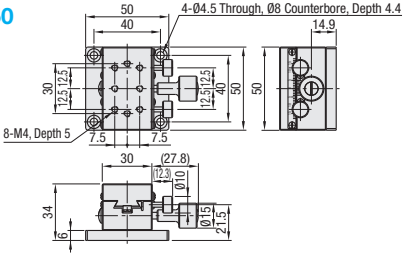
XY-Axis P.1938
Z-Axis P.1953

RoHS10

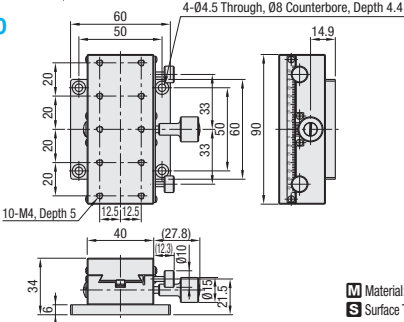
XDTS60



XDTS50



XDTS90



Material: Aluminum Alloy
Surface Treatment: Black Anodize

X-Axis Stages
Low Profile Type: XDTS (P.1903)
High Precision Stage Existing Product: XWG (P.1904)


Part Number Type	No.	Stage Surface (mm)	Travel Distance (mm)	Travel per Rotation (mm)	Load Capacity (N)		Max. Holding Force (N) (Ref.)	Travel Accuracy Straightness	Weight (kg)	Unit Price
					Horizontal	Vertical				
XDTS	50	30x50	±16	16.7	29.4	14.7	30	50µm	0.20	
	60	40x60	±21		39.2	19.6	60		0.26	
	90	40x90	±35			70	0.36			

Max. Holding Force (Ref.) will vary depending on the tightening torque variations. Ensure adequate safety margins for design. Resolution (Vernier Scale Indication): 0.1mm/division
Knob Cover HDCVR15 (Sold Separately): Ø15 knobs can be increased in diameter by installing the cover. P.2004

Ordering Example
Part Number: XDTS60

Features: Rapid Feed Rack & Pinion Stages with Low Profile. Stage thickness except the bottom plate is 20mm.

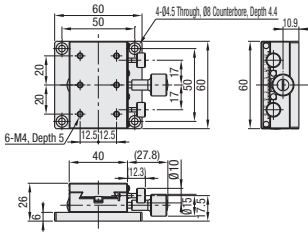
X-Axis Low Profile



XY-Axis P.1938
Z-Axis P.1953

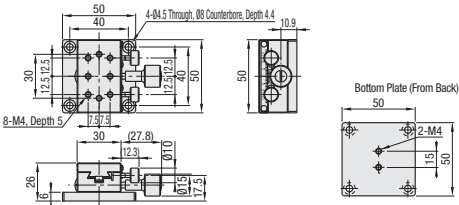
RoHS10

XDTS60



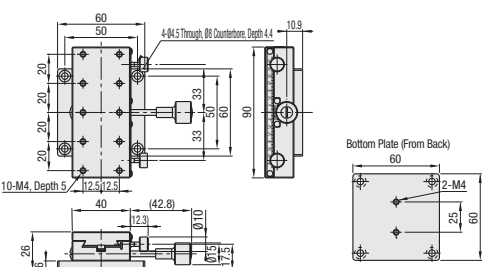
Bottom Plate (From Back)

XDTSC50



Bottom Plate (From Back)

XDTSC90



Bottom Plate (From Back)

Material: Aluminum Alloy
Surface Treatment: Black Anodize

See the CAD data for details.
Please note that the mounting plate and the feed knob may interfere when the bottom plate is removed for use.

X-Axis Stages
Standard Type: XDTS (P.1903)

Part Number Type	No.	Stage Surface (mm)	Travel Distance (mm)	Travel per Rotation (mm)	Load Capacity (N)		Max. Holding Force (N) (Ref.)	Travel Accuracy Straightness	Weight (kg)	Unit Price
					Horizontal	Vertical				
XDTS	50	50x30	±15	16.7	19.6	9.8	10	50µm	0.17	
	60	60x40	±20		29.4	14.7	20		0.21	
	90	90x40	±35			40	0.28			

Max. Holding Force (Ref.) will vary depending on the tightening torque variations. Ensure adequate safety margins for design. Resolution (Vernier Scale Indication): 0.1mm/division
Knob Cover HDCVR15 (Sold Separately): Dovetail Stage Ø15 knobs can be increased in diameter by installing the cover. P.2004

Ordering Example
Part Number: XDTS60