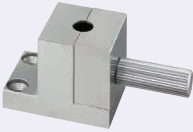


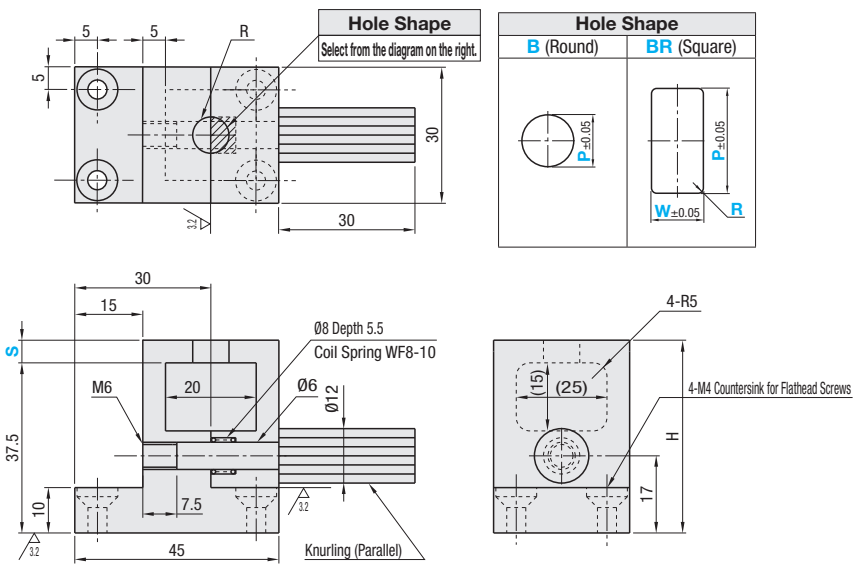
Locating Blocks for Inspection Components

Clip Detaching Blocks for Plastic Panels

■ **Features:** This block facilitates removal and attachment of clips for plastic panels.



KJRSB (Round)
KJRSBR (Square)



Hole Shape		Hole Shape	
B (Round)	BR (Square)	B (Round)	BR (Square)

Material: S45C

Part Number	Type	Hole Shape	Round and Square Common		Square only		S	H	Unit Price	
			P	W	R	KJRSB			KJRSBR	
			0.05mm Increment	0.05mm Increment	0.05mm Increment	0.05mm Increment	0.05mm Increment			
KJRS		(Round) B (Square) BR	3.00~22.00	P ≥ W (W ≥ 3.00)	0.2 ≤ R ≤ W/2	0.5~5.00	S+37.5			

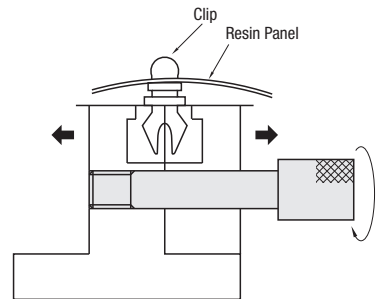


Ordering Example

Part Number	P	W	R	S
KJRSB	- P10.0			- S2.00
KJRSBR	- P10.0	- W6.00	- R2.0	- S1.65



Example



Turning the knurled pin opens and closes the block.