


Bushings for Inspection Components

Threaded Bushings / For Plastic Panels

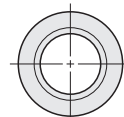
Threaded Bushings



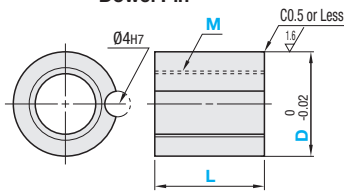
RoHS 10

Material	Round	Dowel Pin
S45C Equivalent	KJBND	KJBKND

Round



Dowel Pin



$\sqrt{6.3}$ ($\sqrt{1.6}$)

Part Number Type	D	M Selection					L 1mm Increment	Unit Price	
		KJBND	KJBKND					KJBND	KJBKND
KJBND KJBKND	10	4	5*	6*		6-25 (L≤Mx3)			
	12	4	5	6	8*				
	16	5	6	8	10		S10		
	20	5	6	8	10		S10		

* For KJBKND, M size marked with * is not available.

S10 is M10 fine thread (pitch 1.25).

Ordering Example

Part Number - **M** - **L**

KJBND16 - **M6** - **L15**

Alterations

Part Number - **M** - **L** - (FC, NC--etc.)

KJBND16 - **M6** - **L15** - **FC**

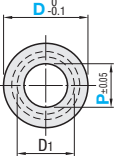
Alterations	Code	Spec.	Alterations	Code	Spec.
Groove (for Adhesive Reservoir)	FC	Adds an adhesive reservoir groove.	Additional Surface Treatment (Black Oxide)	STC	Adds black oxide surface treatment.
Groove (for Retaining)	NC	Adds groove for retaining.	Flats Machining	HT	Adds a flat on bushing. * Applicable to Round Type only.

For Plastic Panels

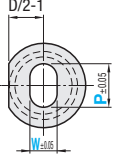


Material	Hardness	Wall thickness	Type		
			Round	Oval	Square
S45C Equivalent	17~23HRC	Standard	KJRB	KJRBC	KJRBR
		Thin Wall	KJRUB	KJRUBC	KJRUBR
SUS304	-	Standard	KJRBS	-	KJRBSR

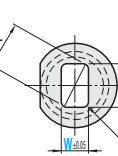
Round

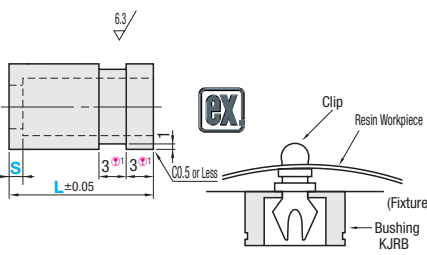


Oval*2



Square*3





ex

Clip

Resin Workpiece

(Fixture)

Bushing KJRB

Please use commercially available clips.

*1 This will be 2mm when L is 8mm or less.
 *2 Oval: P>W
 *3 Square: P≥W, 0.20≤R≤ $\frac{W}{2}$, D-2≥K, K=√((P-2R)²+(W-2R)²+2R

Part Number							Unit Price												
Type			D	P 0.05mm Increment	L 1mm Increment	W 0.05mm Increment	R 0.1mm Increment	S 0.05mm Increment	D1		Standard				Thin Wall				
Round	Oval	Square							Standard	Thin Wall	KJRB	KJRBC	KJRBR	KJRBS	KJRBSR	KJRUB	KJRUBC	KJRUBR	KJRUBS
KJRB	KJRBC	KJRBR	16	3.00~ 8.00	6-25	For Oval Type P>W(W≥3.00) For Square Type P=W(W≥3.00)	0.2≤R≤W/2	For S45C Equivalent Type 0.5-5.00 For SUS304 1.00-5.00	10	12									
			20	4.00~12.00					14	16									
KJRUB	KJRUBC	KJRUBR	25	4.00~17.00					19	21									
KJRBS	-	KJRBSR	30	4.00~22.00					26	-									

*4 D=30 applicable only to Standard Type. (Since the Standard Type is the thinnest.)

Ordering Example

Part Number - **P** - **L** - **W** - **R** - **S**

KJRUB20 - **P6.0** - **L15** - **S0.80**

KJRUBC25 - **P10.0** - **L10** - **W6.5** - **S2.00**

Alterations

Part Number - **P** - **L** - **W** - **R** - **S** - (STC, HT)

KJRUB20 - **P6.0** - **L6** - **W6** - **R0.5** - **S1.0** - **STC**

Alterations	Code	Spec.
Additional Surface Treatment (Black Oxide)	STC	Adds black oxide surface treatment. * Applicable to Material S45C only.
Flats Machining	HT	Adds a flat on bushing. * Applicable to Round Type only.