
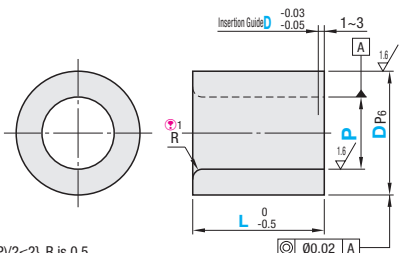


For compatible Pins, see P.1819-P.1820 and P.1840.

**Press Fit Type**



Material	Hardness	Surface Treatment	Type	
			P-0.03 / 0.01	PH7
SKS93 Equivalent	50~60HRC	-	KJBPS	KJBPHS
SKS93 Equivalent	50~60HRC	Electroless Nickel Plating	KJBPSM	KJBPHSM
SUS304 <sup>†2</sup>	-	-	-	KJBPHSS
SUS440C or 13Cr stainless	45~50HRC	-	KJBPSSC	KJBPHSSC



†1. When wall is 2mm or less ((D-P)/2≤2), R is 0.5.

P	H7
2.00~3.00	+0.001 0
3.01~6.00	+0.012 0
6.01~10.00	+0.015 0
10.01~18.00	+0.018 0
18.01~30.00	+0.021 0
30.01~32.00	+0.025 0

**P, L Configurable P Dimension Tolerance<sup>+0.03</sup>/<sub>-0.01</sub>**

Part Number Type	D	P 0.01mm Increment	L 1mm Increment	R	Unit Price		
					KJBPS	KJBPSM	KJBPSSC
(SKS93 Equivalent Hardened) <b>KJBPS</b>	8	2.00~ 6.00	5~40  When P<5 L≤Px4 When P≥5 L≤Px3	1.0			
	10	2.00~ 8.00		1.0			
	12	4.00~10.00		2.0			
(SKS93 Equivalent Hardened, Electroless Nickel Plating) <b>KJBPSM</b>	16	8.00~14.00		2.0			
	20	10.00~18.00		2.0			
(SUS440C or 13Cr stainless) <b>KJBPSSC</b>	25	15.00~23.00		2.0			
	30	20.00~27.00	2.0		-	-	
	35	25.00~32.00	2.0		-	-	

**P, L Configurable P Dimension Tolerance H7**

Part Number Type	D	P 0.01mm Increment	L 1mm Increment	R	Unit Price			
					KJBPHS	KJBPHSM	KJBPHSS	KJBPHSSC
(SKS93 Equivalent Hardened) <b>KJBPHS</b>	8	2.00~ 6.00	5~40  When P<5 L≤Px4 When P≥5 L≤Px3	1.0				
	10	2.00~ 8.00		1.0				
	12	4.00~10.00		2.0				
(SKS93 Equivalent Hardened, Electroless Nickel Plating) <b>KJBPHSM</b>	16	8.00~14.00		2.0				
	20	10.00~18.00		2.0				
(SUS304) <b>KJBPHSS</b>	25	15.00~23.00		2.0				
	30	20.00~27.00	2.0		-	-	-	
	35	25.00~32.00	2.0		-	-	-	

†2. For SUS304, there must be a 2mm or greater wall thickness ((D-P)/2≥2).

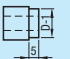
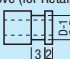

Ordering Example


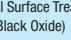
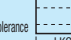
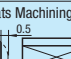
Part Number	D	P	L
KJBA	10	P5	L15
KJBSN	12	P6.53	L20

Alterations

Part Number	P	L	(FC, NC--etc.)
KJBS10	P3.00	L6	STC
KJBSN12	P6.00	L20	CRN

† Applicable to P, L Dimension Configurable Type only.

Alterations	Code	Spec.
Groove (for Adhesive Reservoir) 	FC	Adds an adhesive reservoir groove. † D≥P+3: Applicable only when a wall of 1.5mm or thicker is remaining. † Applicable only when L≥10.
Groove (for Retaining) 	NC	Adds groove for retaining. † D≥P+3: Applicable only when a wall of 1.5mm or thicker is remaining. † Applicable only when L≥10.
Radius R C Chamfered 	RN	Adds C Chamfering (0.5 or less) to R.

Alterations	Code	Spec.
Radius R Square Corner 	CRN	Replaces R with square corner. † Edge may be burred † Combination with alteration LKC is not available.
Additional Surface Treatment (Black Oxide) 	STC	Adds black oxide surface treatment. † Applicable only to material SKS93 (except electroless nickel plating).
L Dimension Tolerance 	LKC	Changes L dimension tolerance to <sup>0</sup> / <sub>-0.05</sub> . † Combination with alteration CRN is not available.
Flats Machining 	HT	Adds a flat on bushing.