

Toggle Clamps

Hold Down, Horizontal Handle (Straight Base / Side Mount Base / Flange Base)

1N=0.101972kgf

■ Features: MC01-11 is Side Mount Base Type. MC01-12 and MC01-13 have high clamping force.


Hold Down, Horizontal Handle (Straight Base)



(Clamped)

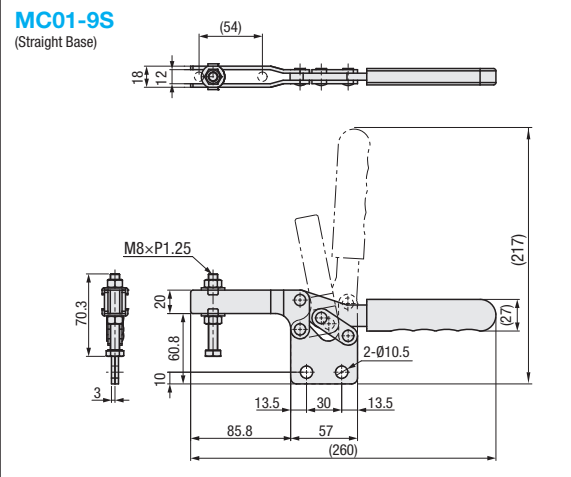
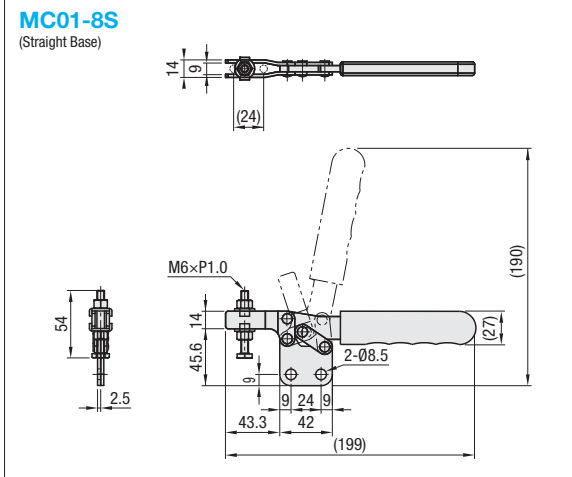
Part Number	MC01-8S
Body Material	SS400
Surface Treatment	Trivalent Chromate
Tightening Force (N)	2450
Weight (g)	210
Arm Open-Close Angle	79°
Handle Open-Close Angle	86°
Accessory	Steel Bolt
Unit Price	

Hold Down, Horizontal Handle (Straight Base)



(Clamped)

Part Number	MC01-9S
Body Material	SS400
Surface Treatment	Trivalent Chromate
Tightening Force (N)	2744
Weight (g)	435
Arm Open-Close Angle	81°
Handle Open-Close Angle	89°
Accessory	Steel Bolt
Unit Price	



Hold Down, Horizontal Handle (Side Mount Base)



(Clamped)

Part Number	MC01-11
Body Material	SS400
Surface Treatment	Trivalent Chromate
Tightening Force (N)	2500
Weight (g)	210
Arm Open-Close Angle	77°
Handle Open-Close Angle	87°
Accessory	Steel Bolt
Unit Price	

Hold Down, Horizontal Handle (Flange Base)



(Clamped)

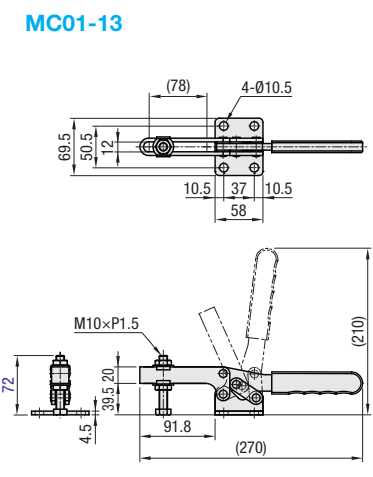
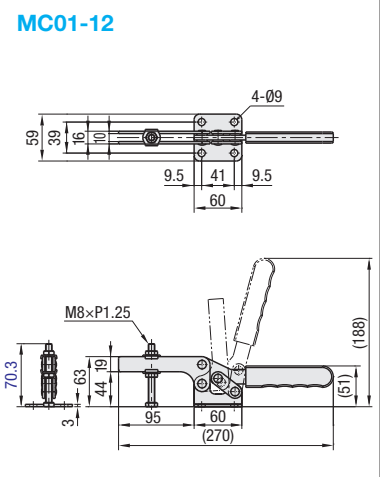
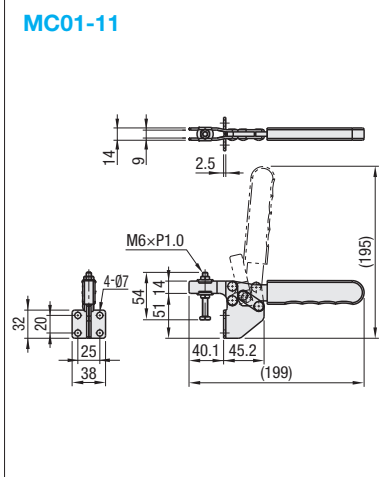
Part Number	MC01-12
Body Material	SS400
Surface Treatment	Trivalent Chromate
Tightening Force (N)	2800
Weight (g)	530
Arm Open-Close Angle	88°
Handle Open-Close Angle	79°
Accessory	Steel Bolt
Unit Price	

Hold Down, Horizontal Handle (Flange Base)



(Clamped)

Part Number	MC01-13
Body Material	SS400
Surface Treatment	Trivalent Chromate
Tightening Force (N)	5000
Weight (g)	635
Arm Open-Close Angle	66°
Handle Open-Close Angle	82°
Accessory	Steel Bolt
Unit Price	



Ordering Example

Part Number
MC01-11
MC01-12

ex Example

Combination of these app. examples can be selected on our website.
Selection Procedure Details **SP P87**

e-Catalog Search Keyword **#MA474**

* Enter the search keyword in the search box on e-Catalog. The search result will be shown in "Modular Assembler" area.

