

Toggle Clamps

Hold Down, Horizontal Standard Handle (Straight Base)

1N=0.101972kgf

Hold Down, Horizontal Standard Handle (Straight Base)



(Clamped)

Part Number	MC01-1S
Body Material	SS400
Surface Treatment	Trivalent Chromate
Tightening Force (N)	264.6
Weight (g)	30
Arm Open-Close Angle	90°
Handle Open-Close Angle	73°
Accessory	* Nylon Bolt
Unit Price	

Hold Down, Horizontal Standard Handle (Straight Base)

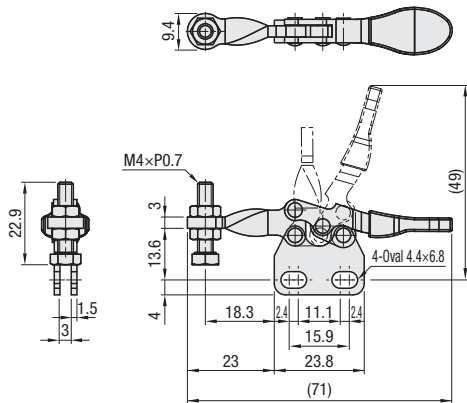


(Clamped)

Part Number	MC01-2S
Body Material	SS400
Surface Treatment	Trivalent Chromate
Tightening Force (N)	264.6
Weight (g)	35
Arm Open-Close Angle	90°
Handle Open-Close Angle	73°
Accessory	* Nylon Bolt
Unit Price	

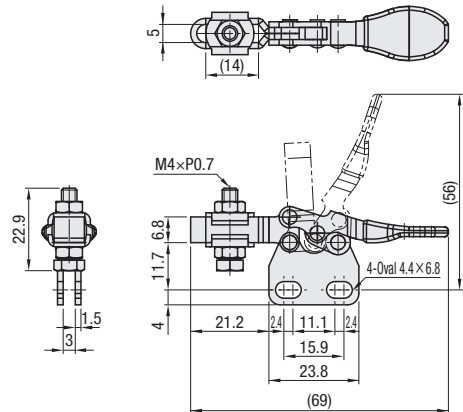
MC01-1S

* Not a bolt with rubber.



MC01-2S

* Not a bolt with rubber.



Hold Down, Horizontal Standard Handle (Straight Base)



(Clamped)

Part Number	MC01-3S
Body Material	SS400
Surface Treatment	Trivalent Chromate
Tightening Force (N)	882
Weight (g)	130
Arm Open-Close Angle	80°
Handle Open-Close Angle	73°
Accessory	Bolt with Rubber Material: NBR Hardness: Shore A70
Unit Price	

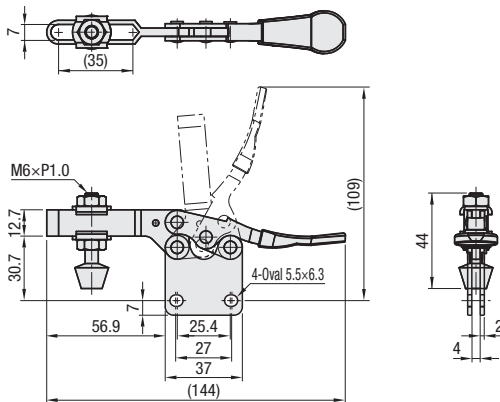
Hold Down, Horizontal Standard Handle (Straight Base)



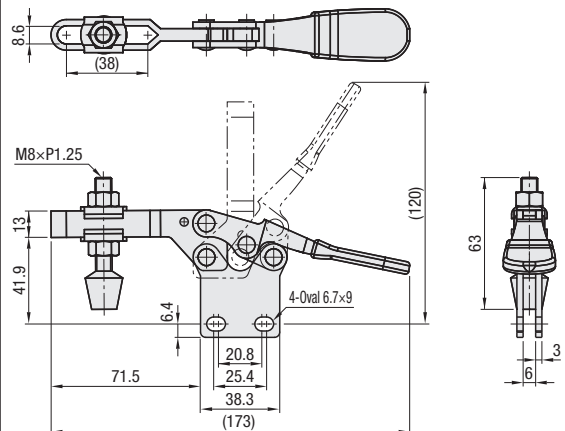
(Clamped)

Part Number	MC01-4S
Body Material	SS400
Surface Treatment	Trivalent Chromate
Tightening Force (N)	2352
Weight (g)	265
Arm Open-Close Angle	90°
Handle Open-Close Angle	65°
Accessory	Bolt with Rubber Material: NBR Hardness: Shore A70
Unit Price	

MC01-3S



MC01-4S



Ordering Example

Part Number

MC01-1S