

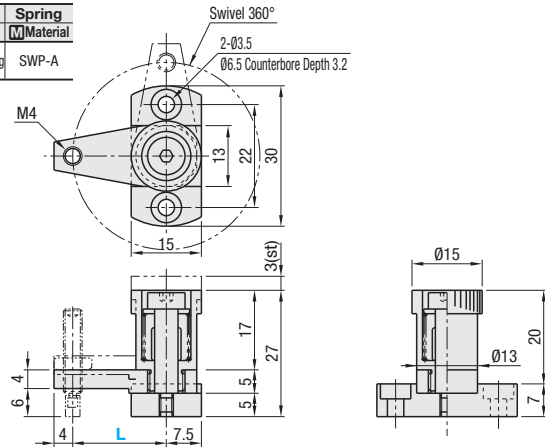
Spring Clamps

Small, Large

■ **Features:** Spring force clamps workpiece with a constant force.



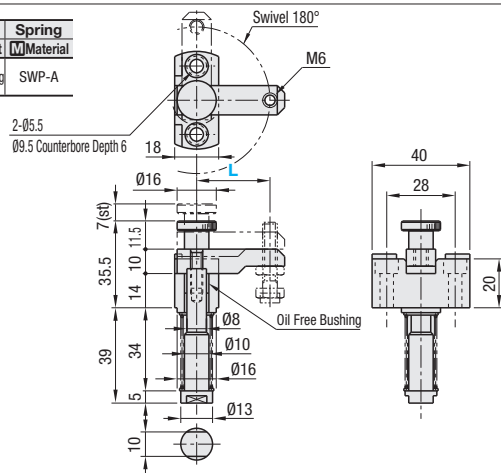
Type	Main Body		Spring
	M Material	S Surface Treatment	M Material
SPCPS	S45C	Electroless Nickel Plating	SWP-A



Part Number		Spring	Clamp Force (N)				Unit Price
Type	L		S (Light Load)		H (Heavy Load)		
			Min.	Max.	Min.	Max.	
SPCPS	20	S (Light Load) H (Heavy Load)	2.0	2.6	3.0	3.6	
	30						



Type	Main Body		Spring
	M Material	S Surface Treatment	M Material
SPCPL	S45C	Electroless Nickel Plating	SWP-A



Part Number		Spring	Clamp Force (N)				Unit Price
Type	L		S (Light Load)		H (Heavy Load)		
			Min.	Max.	Min.	Max.	
SPCPL	30	S (Light Load) H (Heavy Load)	3.0	5.1	5.0	8.5	
	40						
	50						
	60						



Ordering Example

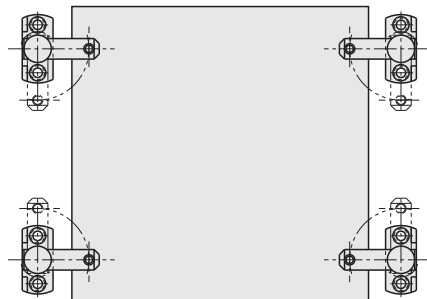
Part Number	Spring
Type L	
SPCPS 20	S
SPCPL 50	H



Alterations

Part Number	Spring	(SB)
Type L		
SPCPS 30	H	SB

Alteration	Code	Spec.
Tip Screw Included	SB	Tip Screw with an Urethane Bumper will be included. SPCPS--US4-15 (P.1721) SPCPL--SUST6-20 (P.1721)



Clamps a workpiece from above by spring force.