

# Buffered Pusher Pins / Slide Pushers

**Features:** Absorbs thrust force when attached to the tip of cylinder, holding the workpiece without damages.

## Buffered Pusher Pins

Type	Pin			Body			Oil Free Bushing	Spring
	Material	Hardness	Surface Treatment	Material	Hardness	Surface Treatment	Material	Material
<b>BFPP</b>	SUM43	23~30HRC	Black Oxide	SUM43	23~30HRC	Black Oxide	PTFE	SWP-A

Load (N)	Spring			
	S (Soft)		H (Hard)	
	Set (Stroke 0)	max. (Stroke max.)	Set (Stroke 0)	max. (Stroke max.)
No.8	2.0	7.0	4.0	14.0
No.10	4.5	10.5	9.0	21.0
No.14	7.5	15.5	15.0	31.0

Values of applicable cylinder tube I.D. are for reference. Check for specifications of the cylinder in use.

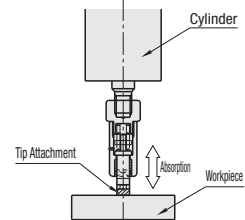
Part Number		No.	D	P	S	(L)	L1	L2	L3	W1	W2	M1 (Coarse)	x1	x2	B	M2	Applicable Cylinder Tube I.D.	Unit Price
Type	Spring																	
<b>BFPP</b>	S (Light Load)	8	13	6	5	45	9	26	10	11	5	M3	5	6	14	M8xP1.25	Ø20	
	H (Heavy Load)	10	16	8	6	53.5	10	31	12.5	14	7	M4	6	7.5	17	M10xP1.25	Ø25	
	H (Heavy Load)	14	22	12	8	78	15	45.5	17.5	21	10	M6	8	10	22	M14xP1.50	Ø40	



Ordering Example  
Part Number  
**BFPP-S-10**



Example  
Use tip attachments suitable for shape and material of workpiece. Inner screw absorbs thrust force, holding the workpiece without damages.

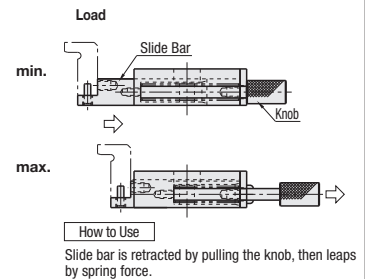
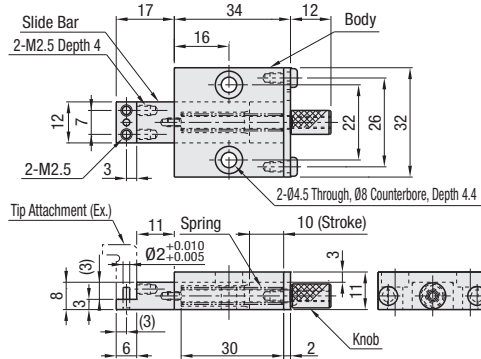


**Features:** Clamps a workpiece from the side by spring force.

## Slide Pushers

Type	Body, Slide Bar		Spring	Shaft	Knob	Screw
	Material	Surface Treatment	Material	Material	Material	Material
<b>SLDP</b>	A6061	Clear Anodize	SUS304-WPB	SUS303	SUS303	SUS304 Equivalent

Tip attachments are not included. Use tip attachments suitable for shape and material of workpiece.



Type	Part Number	Spring	Load (N)		Unit Price	Volume Discount Rate
			min.	max.		
<b>SLDP</b>		S (Light Load)	1.5	6.4	1 ~ 9 pc(s).	10 ~ 20 pcs.
		H (Heavy Load)	4.9	14.7		



Ordering Example  
Part Number  
**SLDP-S**



Example  
Use tip attachments suitable for shape and material of workpiece. Clamps a workpiece from the side by spring force.

