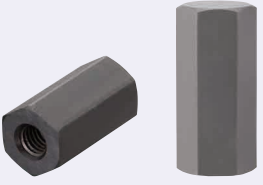


# Height Adjusting Pins - Hex Tapped

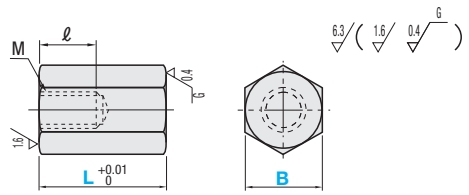
■ **Features:** Locating Pins suitable for height adjustment because High Precision and Medium Accuracy can be selected for the tolerance in the height direction. Threaded and Height Configurable.

■ **High Accuracy**



RoHS10

Material	Surface Treatment	Hardness	Type
SCM435	-	Treated Hardness: 46 ~ 50HRC	<b>JPRM</b>
SCM435	Black Oxide	Treated Hardness: 46 ~ 50HRC	<b>BJPRM</b>
SCM435	Hard Chrome Plating	Treated Hardness: 46 ~ 50HRC Plating Hardness: 750HV ~	<b>HJPRM</b>




Part Number Type	B	L 0.01mm Increment	M (Coarse)	* Tightening Torque N-cm	ℓ	Unit Price		
						JPRM	BJPRM	HJPRM
<b>JPRM</b> <b>BJPRM</b> <b>HJPRM</b>	8	16.00~50.00	M5	461	8			
	10	16.00~50.00						
	13	22.00~50.00	M8	1911	12			
	17	22.00~50.00						
19	22.00~50.00							

\*The tightening torque (ref. value) for hardened products is strength class 8.8. (See technical data on **P 2297**.) Not applicable when using locking materials or lock washers.

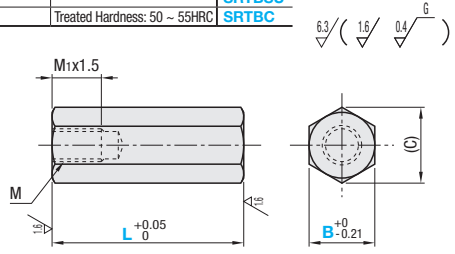
Ordering Example

Part Number	-	L
JPRM8	-	20.00

■ **Medium Accuracy**



Material	Surface Treatment	Hardness	Type
① S45C Equivalent	Black Oxide	-	<b>SRTBB</b>
② S45C Equivalent	Hard Chrome Plating	Plating Hardness: 750HV ~	<b>SRTBR</b>
③ S45C Equivalent	Black Oxide	Treated Hardness: 45 ~ 50HRC	<b>SRTBHB</b>
④ S45C Equivalent	Hard Chrome Plating	Treated Hardness: 45 ~ 50HRC Plating Hardness: 750HV ~	<b>SRTBHR</b>
⑤ SUS304	-	-	<b>SRTBSU</b>
⑥ SUS440C or 13Cr stainless	-	Treated Hardness: 50 ~ 55HRC	<b>SRTBC</b>



⚠ When G < Pitch x 2, the incomplete threaded portion (Pitch x 2) is included in M x 1.5. For Pitch Dia. **P 2292**

Part Number Type	B	L 0.01mm Increment	G 1mm Increment Threaded only	(C)	d	M (Coarse)	* Tightening Torque N-cm	Unit Price Tapped							
								① SRTBB	② SRTBR	③ SRTBHB	④ SRTBHR	⑤ SRTBSU	⑥ SRTBC		
<b>SRTBB</b> <b>SRTBR</b> <b>SRTBHB</b> <b>SRTBHR</b> <b>SRTBSU</b> <b>SRTBC</b>	6	10.00~50.00	0 or 2≤G≤d×2	6.9	4	M3	98								
	7			8.1											
	8			9.2											
	10	15.00~50.00		20.0 ~80.00	11.5	5	M4	225							
	12				13.9										
	13				15										
	14	20.0 ~80.00			20.0 ~80.00	16.2	6	M5	461						
	17					19.6									
	19					21.9									
	24					27.7	8	M8	1911						
							10								

⚠ SUS440C or 13Cr stainless is B≥8.

\*The tightening torque (ref. value) for hardened products is strength class 8.8. (See technical data on **P 2297**.) Not applicable when using locking materials or lock washers.

Ordering Example

Part Number	-	L
Type	B	L
SRTBSU	12	L50.00