


[S Type Roller] Double Pitch Chains, Sprockets, Joint Links

2040B, 2050B Series

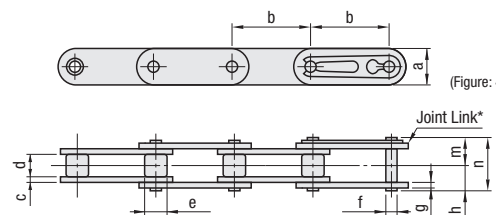
■ **Features:** Flat plate allows workpiece to be put directly on plate for conveyance.

■ **Double Pitch S Type Chain**



RoHS 10

Type	Material
CHEW40 CHEW50	Steel



(Figure: 4 Links)

Joint Link*

* The last link is the Joint Link.

Part Number	Number of Links (Specify Even Number)	Max. Allowable Tension (kN)	1 Unit (Number of Links)	Unit Price	Cutting Charge
CHEW40	4~	2.75	120 (Circumference Length 3,048mm)		
CHEW50	4~	4.41	96 (Circumference Length 3,048mm)		


- Specify links by even numbers. The last link is the Joint Link.
- When the ordered number of links exceeds the given number of links per unit, the qty. of links per unit and the extra qty. of links are packaged separately.
Ex.) For CHEW40-300, 3 separate packages: 120 links x 2 units + 60 links

■ **Detailed Chain Dimension**

Type	a	b	c	d	e	f	g	h	m	n
CHEW40	11.7	25.4	1.5	7.95	7.95	3.97	1.5	8.02	9.53	17.55
CHEW50	14.6	31.75	2	9.53	10.16	5.09	2	10.15	11.6	21.75

Ordering Example: Part Number - Number of Links
CHEW40 - 200

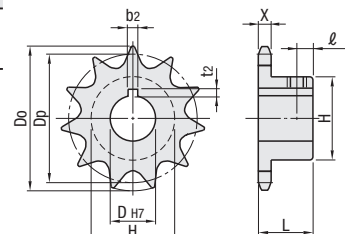
■ **Double Pitch S Type Dedicated Sprocket**



RoHS 10

Type	Material
SP2040B SP2050B	S45C Equivalent (Induction Hardened Teeth Tip)

Accessory: Set Screw (Only for shaft bore specifications [N])



Shaft Bore Specs. **S** (Pilot Bore) **N** (New JIS Key + Tap)

Offset between tooth tip and keyway is ±0.5mm.


Shaft Bore Dia. D	Keyway b x t x z	Set Screw M
20	6x2.8	6
25, 30	8x3.3	8
35	10x3.3	8

For double pitch chain idlers, see P.1552.

Part Number	Type	Allocated Number of Teeth	Shaft Bore Specs.	Shaft Bore Dia.				Number of Operating Teeth	Dp	Do	Hub		X	l	Mass (kg)	Unit Price			
				S Specification (Dns)	Specification (Dns)	Specification (Dns)	Specification (Dns)				H	L				S Specification	N Spec. (In Stock)	N Spec. (Other than In Stock)	
SP2040B	S	19	S	14	20*	25*	30	35	9	1/2	78.23	84	60	7.2	7	0.64			
		21		14	20	25	30	35	10	1/2	86.17	92	69			0.93			
		23		14	20	25	30	35	11	1/2	94.15	100	77			0.99			
		25		14	20*	25	30	35	12	1/2	102.14	108	83			1.06			
SP2050B	S	19	S	14	20	25*	30	35	9	1/2	97.78	105	73	28	8.7	8	1.1		
		21		14	20	25	30	35	10	1/2	107.72	115					1.62		
		23		16	20	25	30	35	11	1/2	117.68	125					1.74		
		25		16	25	30	35	12	1/2	127.67	135	1.87							

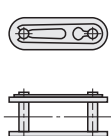
Ordering Example: Part Number - Bore Specification - Shaft Bore Dia.
SP2040B21 - N - 20

■ **Double Pitch S Type Dedicated Joint Link**



RoHS 10

JNTWC



Material: Steel

Part Number	Unit Price	Volume Discount Rate
Type	No.	1 ~ 20 Link(s) 21 ~ 50 Links
JNTWC (Steel)	40	
	50	

For orders larger than indicated quantity, please request a quotation.

Ordering Example: Part Number JNTWC40