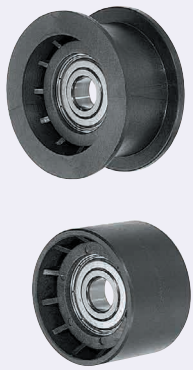


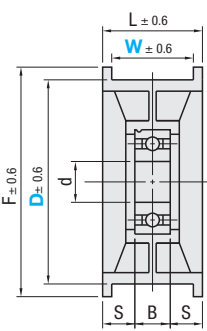
# Idlers / Idler Shafts

Plastic

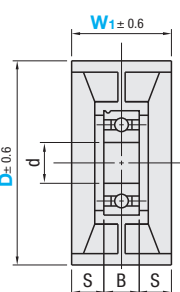
**Idler Plastic Type**



**TPBSN** (Flanged Idler)



**TPCFN** (Flat Idler)




Operating Ambient Temp.: 80°C or lower \* Bearing Accuracy: JIS B 1514 Class 0 M Material: Glass Reinforced Nylon (Engineered Plastic)

Part Number	TPBSN	TPCFN	F	L	S	Bearing Dimensions			Applicable Idler Shaft	TPBSN		TPCFN		
						No.	d	B		Unit Price	Volume Discount Rate	Unit Price	Volume Discount Rate	
	D	W	W <sub>1</sub>							1 ~ 10 pc(s)	11~30 pcs	1 ~ 10 pc(s)	11~30 pcs	
<b>TPBSN TPCFN</b>	38	15	18	42	18	4.5	6200ZZ	10	9	WS010S				
	40	20	26	48	26	8	6201ZZ	12	10	WS116S, WS122S				
	45		25	50	25	7	6202ZZ	15	11	WS216S				
	46		25	52		7.5	6201ZZ	12	10	WS112S, WS116S				
	50	25	31	62	31	10.5						WS116S, WS122S		
	60	30	-	66	36	13								
	70	28	-	80	35	12	6202ZZ	15	11	WS216S, WS222S				

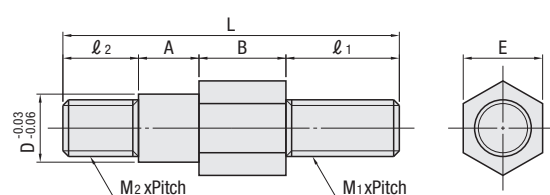
For orders larger than indicated quantity, please request a quotation.

**Idler Shafts**



RoHS10

**WS**




For idler shafts of different sizes, refer to cantilever shafts (P881~906).

M Material: S45C Equivalent  
S Surface Treatment: Black Oxide  
A Accessory: Nut 2 pcs., Spring Washer 2 pcs.

Part Number	A	B	D	l <sub>1</sub>	M <sub>1</sub> xPitch	l <sub>2</sub>	M <sub>2</sub> xPitch	E	L	Unit Price	Volume Discount Rate
										1 ~ 10 pc(s)	11~30 pcs
<b>WS</b>	010S	8.5	10	10	17	12	M8x1.25	14	47.5		
	112S	9.5	12	12	20				14	M10x1.5	55.5
	116S		16			59.5					
	122S		22			65.5					
	216S		16			60.5					
	222S	10.5	22	15	17	66.5					

For orders larger than indicated quantity, please request a quotation.

 Ordering Example

Part Number	-	W(W <sub>1</sub> )
TPCFN50	-	31
WS222S		