

# Keyless Timing Pulleys - T5

## MechaLock Standard Type Incorporated (With Centering Function)

■ **Features:** MechaLock Standard Type P.1491 Incorporated Timing Pulleys. It tolerates an average of 1.2 times and 2.5 times greater torque compared to the conventional ST bushing and SH bushing respectively.

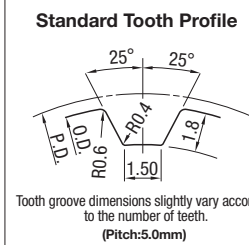
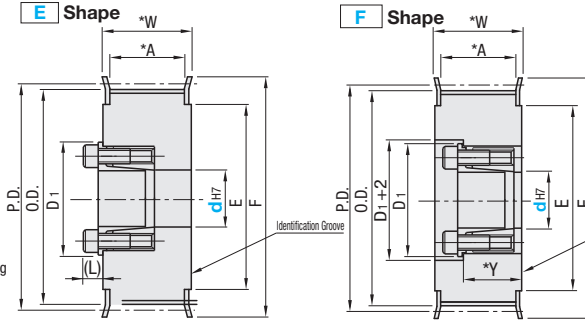


Type	Part Number				Material *1			Surface Treatment		
	Belt Width: 10mm A:11 W:16	Belt Width: 15mm A:17 W:22 Y:14	Belt Width: 20mm A:22 W:27 Y:14(18)	Belt Width: 25mm A:27 W:32 Y:14(22, 23.5)	Pulley	Flange	MechaLock	Pulley	Flange	MechaLock
	T5100	T5150	T5200	T5250						
HTTA	●	●	●	●	A7075	A5052	S45C	Clear Anodize	-	-
HTTK	●	●	●	●				Hard Clear Anodize *2	-	-

dh7	Max. Allowable Torque (N · m)	D1	(L)
8	19.6	23.5	6
10	27.5	25.5	
12	44.1	28.5	
14	63.7	30.5	
15	80.4	31.5	6.5
16	83.3	33.0	
17	92.2	33.5	
18	95.1	34.5	
19	98.1	35.5	8
20	216.0	42.0	
22	255.0	44.0	
24	363.0	46.0	
25	392.0	47.0	8.5
28	441.0	50.0	
30	500.0	52.0	
32	530.0	54.0	

\*1. The above material and accessory might be changed to the ones equivalent to the originals. \*2. Hard Anodize Treatment: Film Hardness 300HV -

### • Pulley Shape



Number of Teeth	24	25	26	28	30	32	34	36	40	44	48	50	60
P.D.	38.20	39.79	41.38	44.56	47.75	50.93	54.11	57.30	63.66	70.03	76.39	79.58	95.49
O.D.	37.40	39.00	40.60	43.75	46.95	50.10	53.25	56.45	62.85	69.20	75.55	78.75	94.65
F	45	45	48	48	52	55	61	61	67	74	83	87	99
E	30	30	35	35	36	40	45	45	50	58	63	67	80

- ⊕ Surface treatment may not be applied to shaft bores.
- ⊕ Flange is installed.
- ⊕ For installation, see P.1489. For details of MechaLock, see P.1491
- ⊕ Y dimensions in ( ) require the shaft bore diameter of 12 or more.

Type	Number of Teeth	Part Number	Type, Nominal Width	Pulley Shape	dh7 Range (-): Specify in 1mm Increment, (,): Select the former or latter								
					Shape E				Shape F				
					T5100	T5150	T5200	T5250	T5150	T5200	T5250		
HTTA HTTK	24	T5100 *A:11 *W:16	E	E	8	8	8	8	8	8	8	8	8
	25				8, 10	8, 10	8, 10	8, 10	8, 10	8, 10	8, 10		
	26				10	10	10	10	10	10	10		
	28				10, 12, 14	10, 12, 14	10, 12, 14	10, 12, 14	10, 12, 14	10, 12, 14	10, 12, 14		
	30				10, 12, 14	10, 12, 14-16	10, 12, 14-16	10, 12, 14-16	10	10, 12, 14-16	10, 12, 14-16		
	32				10, 12, 14	10, 12, 14-19	10, 12, 14-19	10, 12, 14-19	10	10, 12, 14-19	10, 12, 14-19		
	34				12, 14	12, 14-20, 22	12, 14-20, 22	12, 14-20, 22	-	12, 14-19	12, 14-20, 22		
	36				12, 14	12, 14-20, 22	12, 14-20, 22, 24	-	12, 14-19	12, 14-20, 22, 24	-		
	40				12, 14	12, 14-20, 22	12, 14-20, 22, 24, 25, 28	-	12, 14-19	12, 14-20, 22, 24, 25, 28	-		
	44				12, 14	12, 14-20, 22	12, 14-20, 22, 24, 25, 28, 30, 32	-	12, 14-19	12, 14-20, 22, 24, 25, 28, 30	-		
	48												
	50												
60													

**Ordering Example** Part Number - Pulley Shape - Shaft Bore Dia.  
HTTA48T5250 - F - 20

**Alterations** Part Number - Pulley Shape - Shaft Bore Dia. - (BMC-etc.)  
HTTA40T5250 - E - 18 - BMC

Number of Teeth	Body Price 1 ~ 10 pc(s).							
	HTTA				HTTK			
	T5100	T5150	T5200	T5250	T5100	T5150	T5200	T5250
24								
25								
26								
28								
30								
32								
34								
36								
40								
44								
48								
50								
60								

dh7	MechaLock Incorporation Charge (+ Body Price)
8	
10	
12	
14	
15	
16	
17	
18	
19	
20	
22	
24	
25	
28	
30	
32	

⊕ For orders larger than indicated quantity, please request a quotation.

Alterations Code	Surface Treatment	Flange Cut
	BMC, BMR	FC
Spec.	Applies electroless nickel plating on a MechaLock. (Antirust treatment is applied to screws.) ⊕ Electroless nickel plated bushing decreases allowable torque by 20 ~ 30%. BMC: Not RoHS Compliant (Screw: SCM435 Dacrolized Treatment) BMR: RoHS Compliant (Screw: SCM435 GeoMet Coating)	Lowers flange by cutting. FC: 0.5mm Increment ⊕ No surface treatment is applied on flange circumference.  ⊕ FC≧(0. D)+1 ⊕ FC≦F-2 (Ordering Code) FC43

Alterations Code	Flange Not Swaged	Flange Swaged on One Side
	NFC	LFC, RFC
Spec.	Flange is not installed. (Flange Included) 	Flange is installed on either the bushing side (LFC) or the opposite side (RFC) prior to shipping. (Flange 1 pc. Included) 