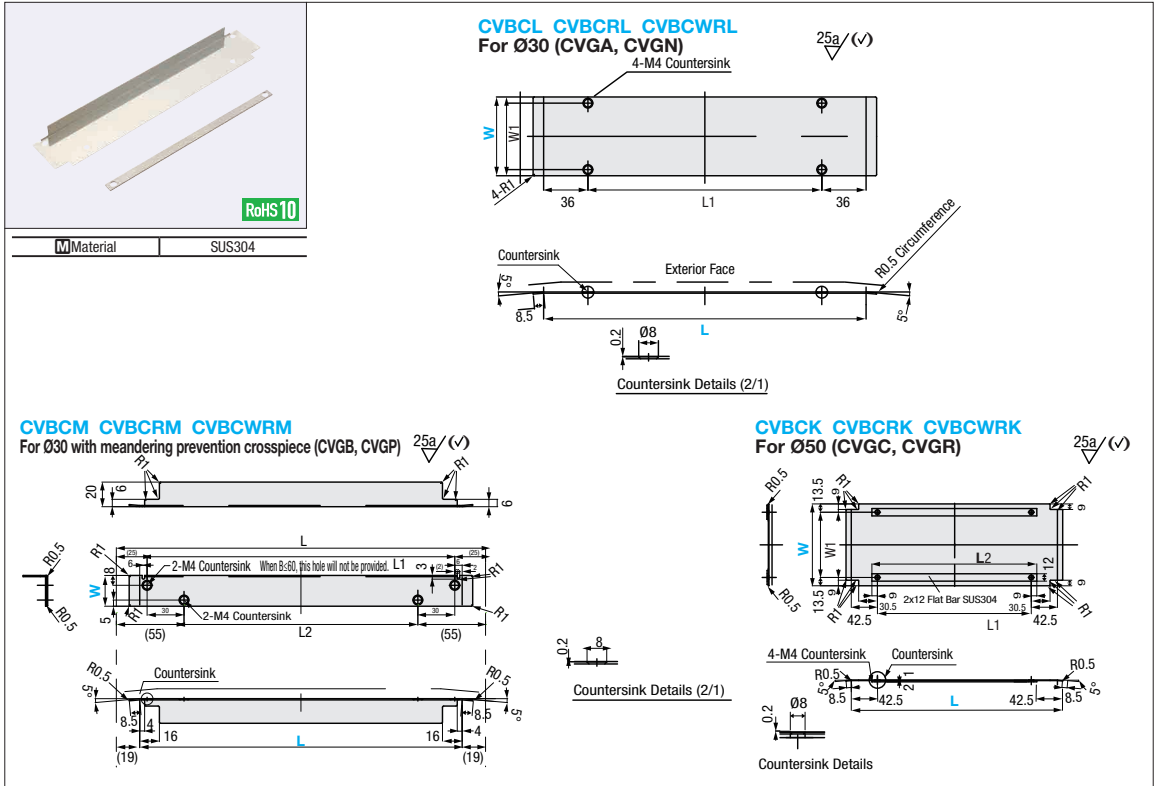


Conveyor Belt Support Cover

Dedicated web site <http://fa.misumi.jp/cvs/>

Conveyor selecting, component purchases, and easy search for maintenance parts are available.



■ For Ø30 (CVGA, CVGN)

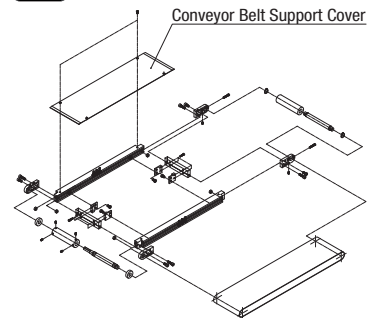
Part Number	W		L1	L2	Applicable Conveyors	Unit Price			
	1mm Increment	1mm Increment				L130~500	L501~1000	L1001~1500	L1501~2000
CVBCL	40-100	130-2000	W-10	L-72	CVGA CVGN				
	101-200								
	201-350								
CVBCRL	40-100	130-2000	W-10	L-121	CVGN (HR, MR)				
	101-200								
	201-350								
CVBCWRL	40-100	130-2000	W-10	L-131	CVGN (WR)				
	101-200								
	201-350								

■ For Ø30 with meandering prevention crosspiece (CVGB, CVGP)

Part Number	W		L1	L2	Applicable Conveyors	Unit Price			
	1mm Increment	1mm Increment				L120~500	L501~1000	L1001~1500	L1501~2000
CVBCM	15-100	120-2000	L-50	L-110	CVGB CVGP				
	101-150								
	151-200								
CVBCRM	15-100	120-2000	L-61	L-121	CVGP (HR, MR)				
	101-150								
	151-200								
CVBCWRM	15-100	120-2000	L-72	L-132	CVGP (WR)				
	101-150								
	151-200								

■ For Ø50 (CVGC, CVGR)

Part Number	W		L1	L2	Applicable Conveyors	Unit Price				
	1mm Increment	1mm Increment				L170~500	L501~1000	L1001~1500	L1501~2000	
CVBCK	70-100	170-2000	W-27	L-85	L-67	CVGC CVGR				
	101-200									
	201-350									
CVBCRK	70-100	170-2000	W-27	L-110	L-92	CVGR (HR, MR)				
	101-200									
	201-350									
CVBCWRK	70-100	170-2000	W-27	L-135	L-117	CVGR (WR)				
	101-200									
	201-350									



Ordering Example Part Number - W - L
CVBCM - 150 - 1940