


Conveyor Press Rollers

Small Rollers

Features: Suitable for conveying printed materials. Roller quantity and material can be selected according to the workpiece.

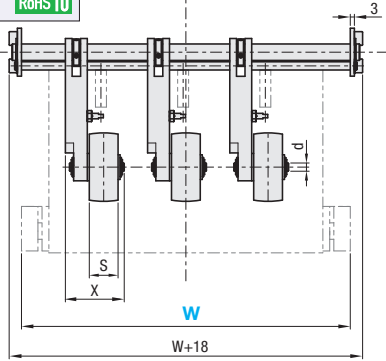


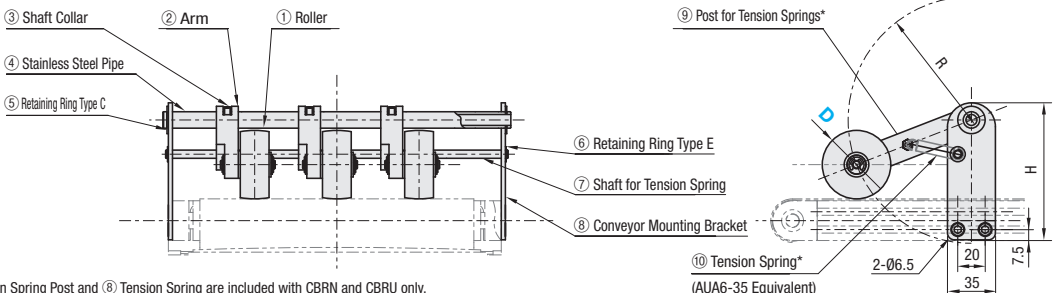
Conveyor Press Rollers - Small Rollers

RoHS 10

Type	① Roller	
	Material	Color
Fixed	Core	
CKRN	Nylon	White
CKRU	Urethane (Antistatic)	Brown

	② Arm	③ Shaft Collar	④ Stainless Steel Tube	⑤ Retaining Ring Type C	⑥ Retaining Ring Type E	⑦ Tension Spring Shaft	⑧ Conveyor Mounting Bracket	⑨ Post for Tension Springs	⑩ Tension Spring
M Material	A6061	SUS304	SUS304	SUS304	SUS304-CSP		SUS304		SUS304-CSP
S Surface Treatment	Clear Anodize								





* ⑦ Tension Spring Post and ⑩ Tension Spring are included with CBRN and CBRU only.

Part Number	Roller	W 1mm Increment	d	S	X	H	R	Unit Price											
								CKRN, CBRN					CKRU, CBRU						
								W											
TYPE	D							45-100	101-200	201-300	301-400	401-550	45-100	101-200	201-300	301-400	401-550		
Fixed	32	1 2 3	45 - 550	5	14	35	90												
CKRN	50			6.7	21	43	100												
CKRU	75			8.2	25	51	120	110											
Spring Loaded	32			5	14	35	90												
CBRN	50			6.7	21	43	100												
CBRU	75			8.2	25	51	120	110											

Additional Price

D	Additional Price			
	CKRN, CBRN		CKRU, CBRU	
	Number of Rollers			
	2	3	2	3
32				
50				
75				

Ordering Example: Part Number: CKRN 75 - Number of Rollers: 3 - W: 300

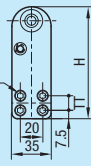
Alterations

Mounting Bracket Mounting Holes Added

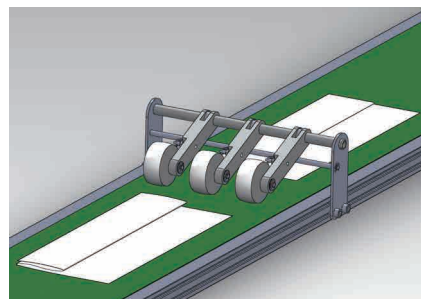
Code: TT

Spec.:

The number of mounting holes for the conveyor mounting bracket is changed to 4.



Ordering Code: TT15



Alterations: Part Number: CBRN 50 - Number of Rollers: 2 - W: 200 - (TT) TT15