

Conveyor Press Rollers

Standard Type

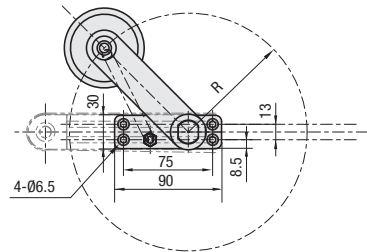
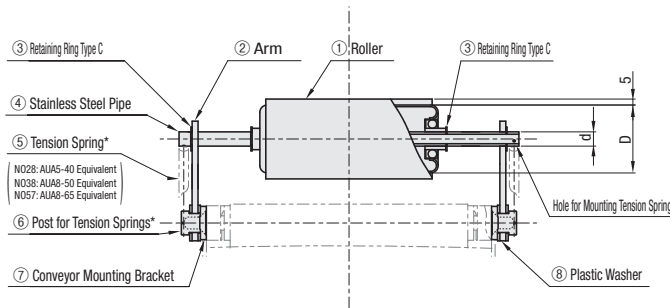
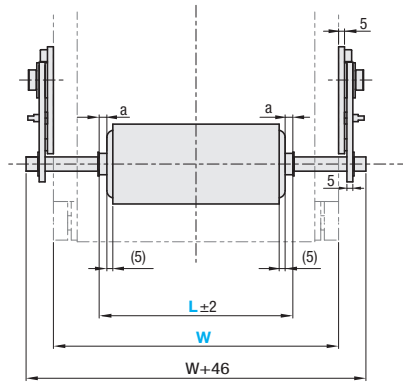
Features: Suitable for conveying printed materials. Roller sizes and urethane type can be selected according to the workpiece.

Conveyor Press Rollers - Standard



RoHS 10

Type	① Roller						④ Hardness	⑤ Color
	Fixed	Spring Loaded	③ Material			⑥ Hardness		
CHRS CHRU	COBS COBU	Core	Wheel	Lining	Shore 90		Natural Color Gray	
		STKM	Steel	Urethane Antistatic Urethane				
② Arm	③ Retaining Ring Type C	④ Stainless Steel Tube	⑤ Tension Spring	⑥ Post for Tension Springs	⑦ Conveyor Mounting Bracket	⑧ Plastic Washer		
Material	A6061	SUS304-CSP	SUS304	SUS304-CSP	SUS304	Polyacetal		
Surface Treatment	Clear Anodize							



① Roller is fixed on the center.

* ⑤ Tension Spring and ⑥ Tension Spring Post are included with COBS and COBU only.

Part Number	L	W 1mm Increment	D	d	a	R	Unit Price															
							CHRS, COBS						CHRU, COBU									
TYPE	No						L															
							113	163	213	263	313	413	513	113	163	213	263	313	413	513		
Fixed CHRS CHRU	28	113	150	28.6	8.2	3.5	60															
	38	163		38.1	12.2	5.5	75															
	57	213		57.2	12.2	6.5	100															
Spring Loaded COBS COBU	28	313	550	28.6	8.2	3.5	60															
	38	413		38.1	12.2	5.5	75															
	57	513		57.2	12.2	6.5	100															

Ordering Example

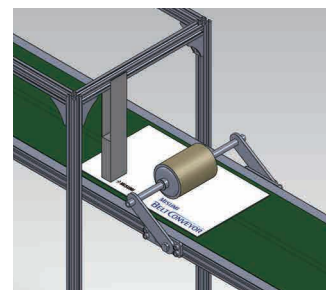
Part Number	L	W
Type No	-	-
CHRU 57	- 313	- 500

Alterations

Code	Mounting Bracket Hole Diameter Specified												
TB	The hole diameter of the conveyor mounting bracket is changed to 1 mm increment.												
	<table border="1"> <tr> <th>TB</th> <th>B Selection</th> <th>G</th> </tr> <tr> <td>1mm Increment</td> <td></td> <td>0.5mm Increment</td> </tr> <tr> <td>12-21</td> <td>30</td> <td>4.5-9</td> </tr> <tr> <td>12-41</td> <td>50</td> <td></td> </tr> </table>	TB	B Selection	G	1mm Increment		0.5mm Increment	12-21	30	4.5-9	12-41	50	
TB	B Selection	G											
1mm Increment		0.5mm Increment											
12-21	30	4.5-9											
12-41	50												
	* When B = 30, TB + G ≤ 25.5; When B = 50, TB + G ≤ 45.5 Ordering Code TB15-B30-G4.5												

Spec.

ex Example



Alterations

Part Number	L	W	(TB)
Type No	-	-	
COBS 38	- 313	- 500	- TB15-B30-G4.5