

Conveyor Work Benches

Folding Type

Features: Work bench that can be used next to conveyors. It can be folded it when not in use. Suitable for saving space.

Conveyor Work Benches



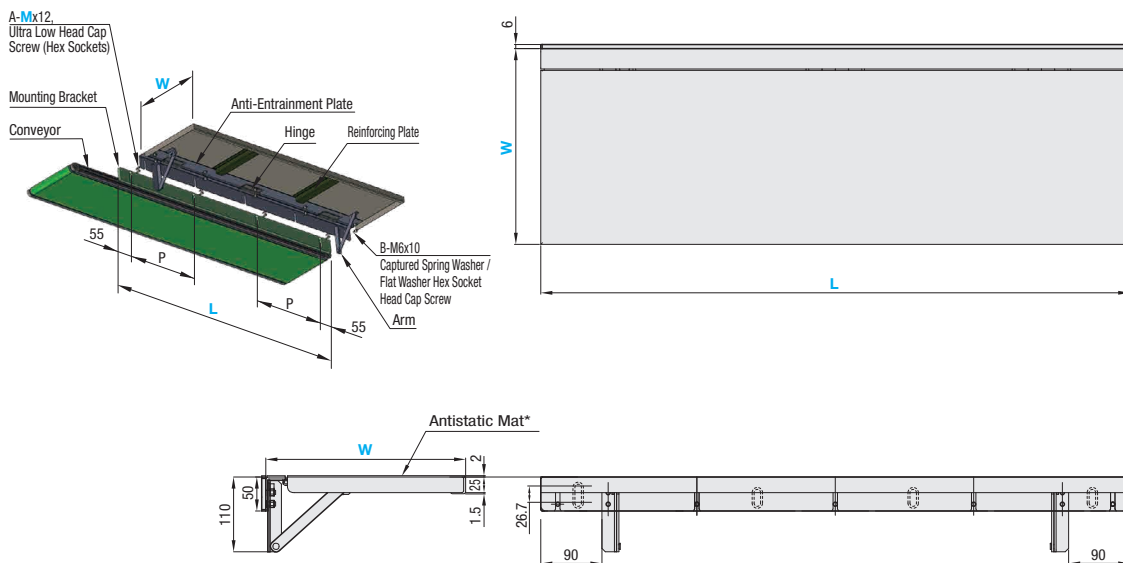
RoHS10

Type	Table Main Unit			Mounting Bracket		Arm
	Material	Surface Treatment	Surface Material Thickness (mm)	Material	Surface Treatment	Material
CGTA	Aluminum Alloy	Clear Anodize	-	Aluminum Alloy	Clear Anodize	SUS304
CGTT	Aluminum Alloy + Natural Rubber (Antistatic, Green)		2			

The cross-sections and machined hole areas are not anodized.

L	A	B	P	Mounting Bracket Number of Mounting Holes (Scotted Holes)	Hinge Qty.	Reinforcing Plate Qty.
200~300	4	6	L-110	2 pcs.	2 pcs.	0 pc.
310~500	6	8	(L-110)/2	3 pcs.	2 pcs.	1 pc.
510~1000	8	10	(L-110)/3	4 pcs.	3 pcs.	2 pcs.

Back Detail View



Mounting brackets will be shipped unassembled. (The installation manual is included.)

* The antistatic mat is attached to W dimensions and the mounting bracket (plate thickness 6 mm area) with adhesives.

Part Number		M (Mounting Screw) Selection	W Selection	L 10mm Increment	Allowable Load (Kgf)	Unit Price			
Type	Table Material					L200~300	L310~500	L510~750	L760~1000
CGT	A Aluminum	5 (M5) 6 (M6)	200	200~1000	5.0				
			300						
	T Antistatic (Green)		200						
			300						



Ordering Example

Part Number - W - L
 Type Table Material M
 CGT A 5 - 200 - 500



Example

