

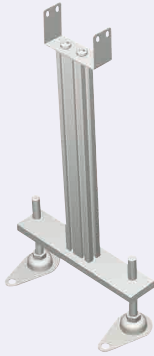
Conveyor Stands

I Type / H Type

Dedicated web site <http://fa.misumi.jp/cvs/>

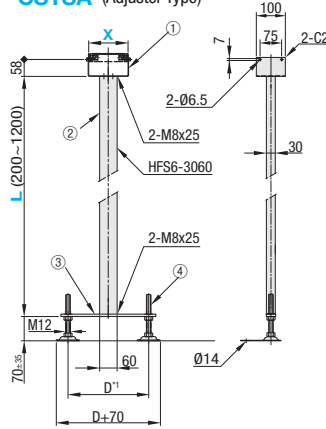
Conveyor selecting, component purchases, and easy search for maintenance parts are available.

Conveyor Stands - I Type

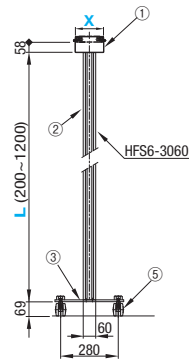


RoHS 10

Conveyor Stand I Type (1 set)
CSTSA (Adjuster Type)



CSTSC (Caster Type)



*1 D dimension chart

X	50~100	101~
D	200	280

⊕ X is conveyor mounting width

⊕ The unit will not stand on its own.

	① Bracket	② Aluminum Extrusion	③ Base Plate	④ Level Adjusting Bolt	⑤ Caster	
M Material	SUS304	Aluminum	Steel	Steel	Shaft Steel	Wheel Plastic
S Surface Treatment	2B	Clear Anodize	Trivalent Chromate	Trivalent Chromate	Trivalent Chromate	-

⊕ The stands are shipped unassembled. Assembly by customers required.

Part Number		X 1mm Increment	L 1mm Increment	Unit Price
Type	Shape			
CSTS	A (Adjuster)	50~200	100~490	
	C (Caster)		500~690	
			700~990	
			1000~1200	



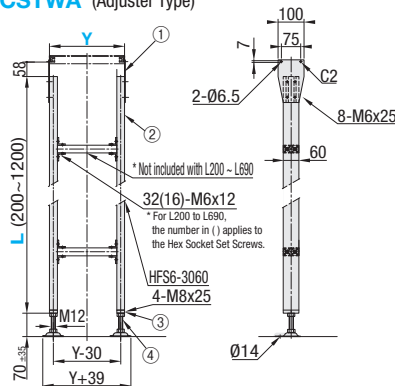
Part Number		X	L
Type	Shape		
CSTS	A	- X100 -	L800

Conveyor Stands - H Type

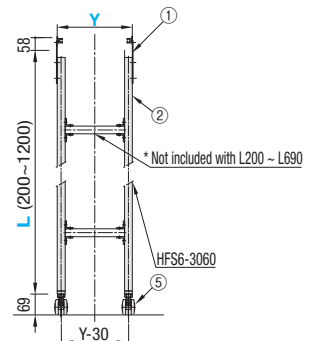


RoHS 10

Conveyor Stand H Type (1 set)
CSTWA (Adjuster Type)



CSTWC (Caster Type)



⊕ The unit will not stand on its own.

	① Bracket	② Aluminum Extrusion	③ Foot Base	④ Level Adjusting Bolt	⑤ Caster	
M Material	Steel	Aluminum	Steel	Steel	Shaft Steel	Wheel Plastic
S Surface Treatment	Trivalent Chromate	Clear Anodize	Trivalent Chromate	Trivalent Chromate	Trivalent Chromate	-

⊕ The stands are shipped unassembled. Assembly by customers required.

Part Number		Y 1mm Increment	L 1mm Increment	Unit Price
Type	Shape			
CSTW	A (Adjuster)	150~600	100~490	
	C (Caster)		500~690	
			700~990	
			1000~1200	



Part Number		Y	L
Type	Shape		
CSTW	C	- Y500 -	L1000