

Conveyor Stands

Tube Type

■ **Features:** Stands of which height is adjustable up to 200 mm. Useful when switching lines.

Conveyor Stands - Pipe Type

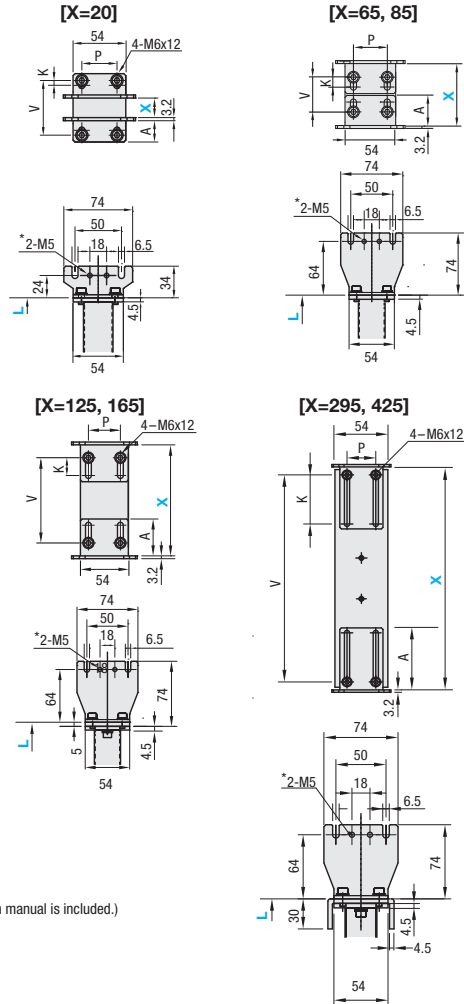


RoHS 10

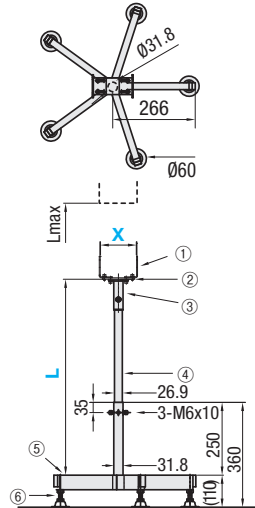
Name	Material	Surface Treatment
① L-Shaped Bracket	Steel	Black Paint
② Intermediate Plate	Steel	Black Paint
③ Bracket Mount	Steel	Black Paint
④ Round Tube	Steel	Black Paint
⑤ Foot Base	Steel	Black Paint
⑥ Foot	Steel	Trivalent Chromate
⑦ Caster	Shaft	Steel
	Wheel	Plastic

L Type Bracket Detail View

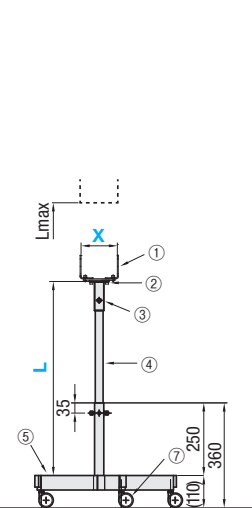
⦿ The top view is Xmin and moves by slotted holes (Kx2).



CSTPF (Foot Type)



CSTPC (Caster Type)



- ⦿ The stands are shipped unassembled. Assembly will be required on your side. (The assembly instruction manual is included.)
- ⦿ The ③ bracket mount rotates 360°.
- ⦿ When X = 20 ~ 85, the intermediate plate will not be provided.
- ⦿ To secure the foot, use Fixing Plates (FJKMT12) on PZ-1112.
- ⦿ For the foot type, heights cannot be finely adjusted using adjusters.
- ⦿ For the ⑦ caster type, three casters have stoppers.
- ⦿ The conveyor mount part height is L + 24 + 110 when X = 20 and is L + 64 + 110 when X = 65 ~ 425. (Tolerance: ±2)

*Tapped Hole for Mounting Conveyor Options

Part Number	X	L	Load Capacity (N)	Unit Price		
				CSTPF	CSTPC	
CSTP	F (Foot)	20	385	925		
		65	585			
		85	785			
	C (Caster)	125	390			
		165	590			
		295	389			
	425	589	789			

⦿ Infinitely variable adjustment is available for X and L within the adjustable range shown in the right table.

X Adjustable Range

X	X Adjustable Range	
	min	max
20	20	30
65	65	85
85	85	125
125	125	165
165	165	295
295	295	425
425	425	555

L Adjustable Range

X	L	L Adjustable Range	
		min	max
20	385	385	585
65	585	585	785
85	785	785	985
125	390	390	590
	590	590	790
165	790	790	990
	389	389	589
295	589	589	789
	789	789	989

Maintenance Parts Number

Caster		Foot
No Stopper	With Stopper	
CTYNB50-12 (PZ-1101)	CTYNBS50-12 (PZ-1101)	NFJN12-50

L Type Bracket Dimension Details

X	A	V	P	K
20	21.8	56	36	5
65	31.5	36	40	10
85	41.5	56	36	20
125		96		
165	82	144	65	65
295		274		
425		404		



Ordering Example

Part Number		X	L
Type	Shape		
CSTP	F	20	785

Note

The product does not have fall-prevention mechanism. Avoid adjusting the stand height when the conveyor is attached. Handle the product with utmost care.