

Flat Belt Conveyors

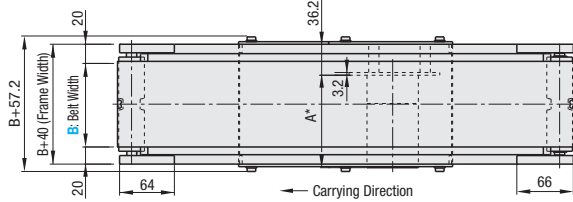
With Meandering Prevention Crosspiece, Center Drive, 2-Groove Frame (Pulley Dia. 30mm)

Features: The conveyor maintains good running straightness by the use of meandering prevention crosspiece to suppress lateral force induced meandering. With the addition of tapped holes for pulley holders, mounting of optional parts becomes easier than that with CVSR.

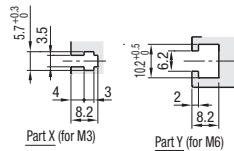
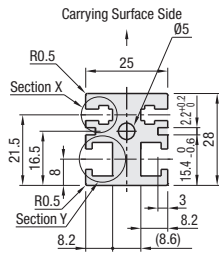


CVGP 6W Motor Type

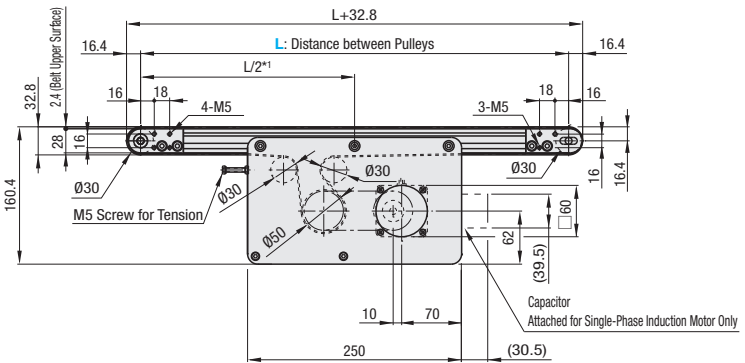
	Frame	Motor Cover①	Motor Cover②	Pulley Holder
M Material	Aluminum	Aluminum	SPCC	Aluminum
S Surface Treatment	Clear Anodize	Paint	Paint	Paint



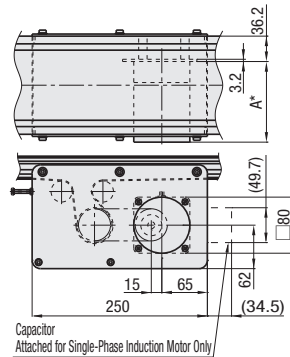
Frame Cross Section and Enlarged View (Symmetrical)



Compatible with JIS standard hex nuts.



25W Motor Type



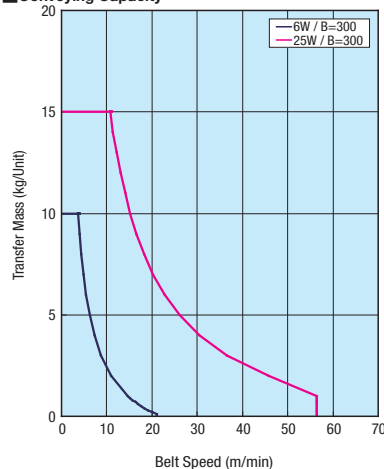
*1 The drive section can be moved to a desired position within the aluminum extrusion slots.
*2 When $L \geq 455$, each slot has four (4) nuts inserted. When counterbores for inserting nuts are required, please specify in alterations.

The dimensions in the diagram is for Belt Specifications H (0.8mm THK.). Take note that belt thickness varies by Belt Specifications. For Belt Specifications, see P1279~.

* A Dimension Details

Output (W)	Motor		Reduction Ratio	A
	Specification	Manufacturer		
6W	Induction Motor	Panasonic	5-25	101.0
			30-180	108.0
		Oriental	5-25	105.0
			30-180	115.0
	Variable Speed Motor Control Motor	Taiwanese	5-75	114.7
			90-180	120.7
		Oriental	5-25	115.0
			30-180	125.0
25W	Induction Motor	Panasonic	5-75	126.9
			90-180	132.9
		Oriental	5-180	115.0
			25-180	117.0
	Variable Speed Motor Control Motor	Taiwanese	5-75	129.0
			90-180	136.0
		Oriental	5-18	127.0
			25-180	137.5
Taiwanese	5-75	139.5		
	90-180	146.5		

Conveying Capacity



*Reference Value may be different by selected Belt.

Gearhead Reduction Ratio

*May decrease depending on load condition.

Gearhead Reduction Ratio	Belt Speed (m/min)	
	50Hz	60Hz
5	47.1	56.5
7.5	31.4	37.7
9	26.2	31.4
12.5	18.8	22.6
15	15.7	18.8
18	13.1	15.7
25	9.4	11.3
30	7.9	9.4
36	6.5	7.9
50	4.7	5.7
60	3.9	4.7
75	3.1	3.8
90	2.6	3.1
100	2.4	2.8
120	2.0	2.4
150	1.6	1.9
180	1.3	1.6