


Urethane Rollers with Shafts

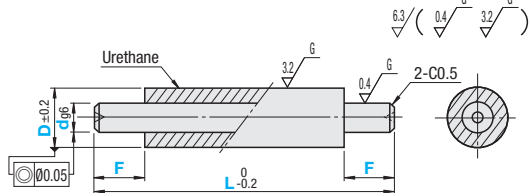
Straight / Both Ends Threaded

■ Straight



Type	Material		Hardness
	Shaft	Lining	
USH	SUJ2 Induction Hardened (Depth 0.8~2mm) 58HRC~	Urethane (Natural Color)	Shore A90
USM			Shore A70
USL			Shore A50

Urethane is baked on the outer circumference of the core material.




Part Number Type	D	dg6 Selection	L 1mm Increment	F 1mm Increment
USH USM USL	10	5 6	50~100	5≤F≤dx2 Fx2<L
	15	6 8 10	50~150	
	20	8 10 12 15	50~200	
	25	10 12 15 20		
	30	15 20	50~300	
	35	15 20		

Ordering Example Part Number - d - L - F
USH20 - 8 - 150 - F10

Part Number Type	D	Unit Price				
		L50~100	L101~150	L151~200	L201~250	L251~300
USH	10	-	-	-	-	-
	15	-	-	-	-	-
	20	-	-	-	-	-
	25	-	-	-	-	-
	30	-	-	-	-	-
	35	-	-	-	-	-

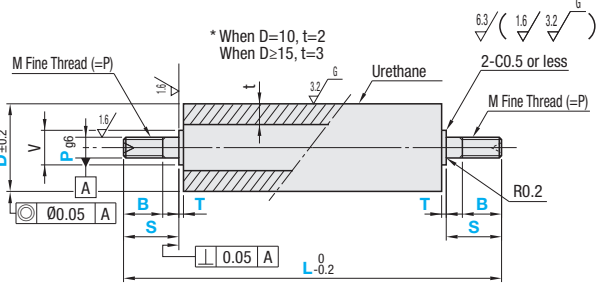
Part Number Type	D	Unit Price				
		L50~100	L101~150	L151~200	L201~250	L251~300
USM USL	10	-	-	-	-	-
	15	-	-	-	-	-
	20	-	-	-	-	-
	25	-	-	-	-	-
	30	-	-	-	-	-
	35	-	-	-	-	-

■ Both Ends Threaded



Type	Material		Hardness
	Shaft	Lining	
USMH	S45C Equivalent	Urethane (Natural Color)	Shore A90
USMM			Shore A70
USML	S45C		Shore A50

Urethane is baked on the outer circumference of the core material.



Part Number Type	D	L 1mm Increment	Pg6 Selection	1mm Increment		
				S	B	T
USMH USMM USML	10	50~100	3	3≤S≤Px5	B=0 or (When P≤6) B≤S-2 (When P=8 or 10) B≤S-3 (When P≥12) B≤S-5	1~30
	15	50~150	3 4 5 6			
	20	50~200	4 5 6 8 10			
	25		4 5 6 8 10 12			
	30	50~300	5 6 8 10 12 15 17			
	35		8 10 12 15 17 20			

V and M are as the list below based on P dim.

P	V	M (Fine)
3	5	M 3xP0.35
4	6	M 4xP0.5
5	7	M 5xP0.5
6	8	M 6xP0.75
8	10	M 8xP1.0
10	13	M10xP1.0
12	15	M12xP1.0
15	17	M15xP1.0
17	20	M17xP1.0
20	24	M20xP1.0

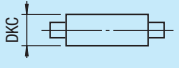
Ordering Example Part Number - L - P - S - B - T
USMH20 - 180 - P10 - S30 - B25 - T1

Part Number Type	D	Unit Price				
		L50~100	L101~150	L151~200	L201~250	L251~300
USMH	10	-	-	-	-	-
	15	-	-	-	-	-
	20	-	-	-	-	-
	25	-	-	-	-	-
	30	-	-	-	-	-
	35	-	-	-	-	-

Part Number Type	D	Unit Price				
		L50~100	L101~150	L151~200	L201~250	L251~300
USMM USML	10	-	-	-	-	-
	15	-	-	-	-	-
	20	-	-	-	-	-
	25	-	-	-	-	-
	30	-	-	-	-	-
	35	-	-	-	-	-

Alterations Part Number - d - L - F - P - S - B - T - (DKC, UDC)
USH15 - 8 - 80 - F5 - DKC
USMH20 - 120 - P8 - S8 - B5 - T4 - UDC

Alteration	Code	Spec.
O.D. Tolerance	DKC	D dimension tolerance is changed. +0.05 0 [Ordering Code] DKC



Alteration	Code	Spec.
Change to Antistatic Urethane (Urethane Color: Gray)	UDC	Only USH and USMH are antistatic Change to Urethane [Ordering Code] UDC Specific Volume Resistivity 2.1 x 10 ¹⁰ Ω·cm Surface Resistivity 4.0x10 ⁹ Ω (Temperature 30°C / Humidity 60%)