


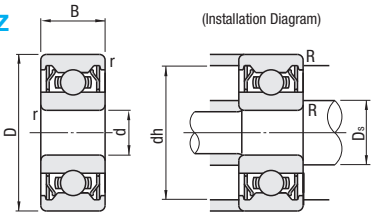
Heat-Resistant Grease Filled Ball Bearings - Max. Operating Temperature 160°C

■ Heat-Resistant Grease Filled Ball Bearings - Max. Operating Temperature 160°C



RoHS10

HHB6□□ZZ
HHB6□□□ZZ



Bearing Accuracy: JIS B 1514 Class 0
Operating Temperature: -20 ~ +160°C

Type	Inner and Outer Ring		Shield	Rolling Element	Retainer
	M Material	H Hardness	M Material	M Material	M Material
HHB ZZ	SUS440C Equivalent	57-63HRC	SUS304	SUS440C	SUS304

For details on the tolerance and allowable values of inner and outer rings, [FP2243](#)

Part Number	d	D	B	r (min)	Basic Load Rating		Allowable Rotational Speed rpm (Reference)	Relative Dimensions			Mass (g) (Reference)	Unit Price
					Cr (Dynamic) N	Cor (Static) N		Ds (min)	dh (max)	R (max)		
HHB695ZZ	5	13	4	0.2	915	346	43000	6.6	11.4	0.2	2.4	
HHB605ZZ		14			1130	406	40000		12.4		3.5	
HHB625ZZ		16	5		1470	540	36000	7	14	0.3	4.8	
HHB696ZZ	6	15	6	0.3	1139	418	40000	7.6	13.4	0.2	3.8	
HHB606ZZ		17			1924	677	38000		8		15	
HHB626ZZ		19	6		1986	717	32000	17	17	0.3	8.1	
HHB698ZZ	8	22	7	0.3	1901	734	36000	10	17	0.3	7.3	
HHB608ZZ		24			2799	1103	34000		20		12	
HHB628ZZ		24	8		2833	1138	28000	22	22	0.3	17	

Part Number	d	D	B	r (min)	Basic Load Rating		Allowable Rotational Speed rpm (Reference)	Relative Dimensions			Mass (g) (Reference)	Unit Price
					Cr (Dynamic) kN	Cor (Static) kN		Ds (min)	dh (max)	R (max)		
HHB6900ZZ	10	22	6	0.3	2.29	1.01	34000	12	12.5	20	0.3	10
HHB6000ZZ		26	8		3.90	1.57	31000		13	24		19
HHB6200ZZ		30	9		0.6	4.35	1.91	24000	14	16	26	0.6
HHB6901ZZ	12	24	6	0.3	2.45	1.16	31000	14	14.5	22	0.3	11
HHB6001ZZ		28	8		4.35	1.89	27000		15.5	26		22
HHB6201ZZ		32	10		0.6	5.80	2.44	22000	16	17	28	0.6
HHB6902ZZ	15	28	7	0.3	3.70	1.80	26000	17	17	26	0.3	17
HHB6002ZZ		32	9		4.75	2.26	23000		19	30		30
HHB6202ZZ		35	11		0.6	6.50	3.00	20000	19	20.5	31	0.6
HHB6903ZZ	17	30	7	0.3	3.90	2.04	23000	19	19.5	28	0.3	18
HHB6003ZZ		35	10		5.10	2.60	21000		21.5	33		39
HHB6203ZZ		40	12		0.6	8.15	3.84	17000	21	23.5	36	0.6
HHB6904ZZ	20	37	9	0.3	5.40	2.96	19000	22	24	35	0.3	36
HHB6004ZZ		42	12		7.95	4.00	17000		24	25.5		38
HHB6204ZZ		47	14		1.0	10.90	5.28	15000	25	26.5	42	1.0

kgf=Nx0.101972

Ordering Example **Part Number**
HHB696ZZ
HHB6003ZZ

Grease Performance and Operating Environment

	All-Purpose Grease Filled/Heat-Resistant Grease Filled		
	B6□□ZZ SB6□□ZZ	HHB6□□ZZ HHB6□□□ZZ	
Grease Performance	Thickener	Lithium Soap	Diurea
	Base Oil	Mineral Oil	Mineral Oil
	Base Oil Dynamic Viscosity (40°C, mm ² /s)	26	88
	Worked Penetration	270	260
	Dropping Point (°C)	170~190	253
	Evaporation (wt%) (99°Cx22h)	0.32 (99°Cx22h)	0.3 (99°Cx22h)
	Separation (100°Cx24h, wt%)	2.9	1.5
	Operating Temperature (°C)	In Air -25~+120	In Vacuum -20~+160
	In Vacuum	Unsuitable	