


Deep Groove Ball Bearings

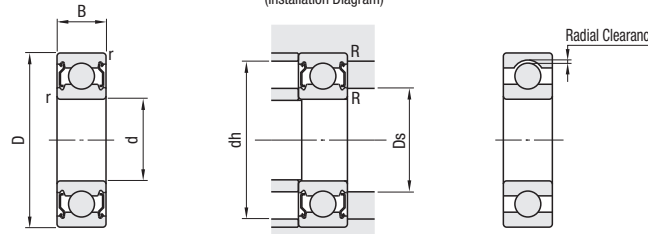
Double Shielded with C3 Clearance

■ **Features:** Radial clearance is larger than standard products. Specially use for tight joining-fit and potential temperature difference between outer and inner rings.



B6 **ZZC3**

(Installation Diagram)



• Radial Clearance Unit: μm

Bearing I.D. d(mm)	CN		C3	
	over	or less	Min.	Max.
10 only	2	13	8	23
10	18	3	18	11
18	24	5	20	13
24	30	5	20	13
30	40	6	20	15
40	50	6	23	18

Material: SUJ2
Bearing Accuracy: JIS B 1514 Class 0

RoHS 10

For details on the tolerance and allowable values of inner and outer rings, **P2243**

Part Number	d	D	B	r (min)	Basic Load Rating		Allowable Rotational Speed rpm (Reference)	Relative Dimensions				Mass (g) (Reference)	Unit Price	
					Cr (Dynamic) kN	Co (Static) kN		Ds		dh (max)	R (max)			
								(min)	(max)					
B6000ZZC3	10	26	8	0.3	4.55	1.97	30000	12	13	24	0.3	18		
B6200ZZC3		30	9	0.6	5.1	2.39	24000	14	16	26	0.6	32		
B6300ZZC3		35	11	0.6	8.1	3.45	22000		16.5	31		52		
B6001ZZC3	12	28	8	0.3	5.1	2.37	28000	16	15.5	26	0.3	22		
B6201ZZC3		32	10	0.6	6.8	3.05	22000		17	17	28	0.6	37	
B6301ZZC3		37	12	1	9.7	4.2	20000	17	18	32	1	60		
B6002ZZC3	15	32	9	0.3	5.6	2.83	24000		19	19	30	0.3	31	
B6202ZZC3		35	11	0.6	7.65	3.75	20000		20	20.5	31	0.6	45	
B6302ZZC3		42	13	1	11.4	5.45	17000	21	22.5	37	1	83		
B6003ZZC3	17	35	10	0.3	6	3.25	22000	19	21.5	33	0.3	41		
B6203ZZC3		40	12	0.6	9.55	4.8	17000		21	23.5	36	0.6	67	
B6303ZZC3		47	14	1	13.6	6.65	15000	22	25.5	42	1	113		
B6004ZZC3	20	42	12	0.6	9.4	5	18000	24	25.5	38	0.6	68		
B6204ZZC3		47	14	1	12.8	6.6	15000		25	26.5		42	1	107
B6304ZZC3		52	15	1.1	15.9	7.9	14000	26.5	28	45.5	145			
B6005ZZC3	25	47	12	0.6	10.1	5.85	15000	29	30	43	0.6	79		
B6205ZZC3		52	15	1	14	7.85	13000		30	32		47	1	129
B6305ZZC3		62	17	1.1	20.6	11.2	11000	31.5	36	55.5	235			
B6006ZZC3	30	55	13	1	13.2	8.3	13000	35	36.5	50	1	116		
B6206ZZC3		62	16		19.5	11.3	11000		38.5	57		199		
B6306ZZC3		72	19		1.1	26.7	15	9500	36.5	42.5		65.5	345	
B6007ZZC3	35	62	14	1	16	10.3	11000	40	41.5	57	1	151		
B6207ZZC3		72	17	1.1	25.7	15.3	9500		41.5	44.5		65.5	284	
B6307ZZC3		80	21	1.5	33.5	19.2	8500	43	47	72		1.5	464	
B6008ZZC3	40	68	15	1	16.8	11.5	10000	45	47.5	63	1	190		
B6208ZZC3		80	18	1.1	29.1	17.9	8500		46.5	50.5		73.5	366	
B6308ZZC3		90	23	1.5	40.5	24	7500	48	53	82		1.5	636	
B6009ZZC3	45	75	16	1	20.9	15.2	9000	50	53.5	70	1	241		
B6209ZZC3		85	19	1.1	31.5	20.4	7500		51.5	55.5		78.5	420	
B6309ZZC3		100	25	1.5	53	32	6700	53	61.5	92		1.5	829	
B6010ZZC3	50	80	16	1	21.8	16.6	8500	55	58.5	75	1	261		
B6210ZZC3		90	20	1.1	35	23.2	7100		56.5	60		83.5	459	
B6310ZZC3		110	27	2	62	38.5	6000	59	68	101		2	1060	

Ⓚ kgf=Nx0.101972



Ordering
Example

Part Number
B6004ZZC3