


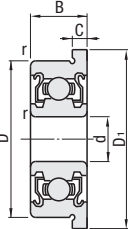
# Small Deep Groove Ball Bearings with Flange

## Double Shielded

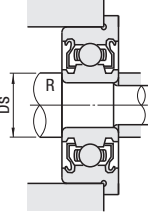
⚠ This product can be used even when heavy load, high rotation speed, and high rotational accuracy are required. See **P998** for the C-VALUE Product of this item.



FL6  ZZ  
 FL6  AZZ  
 MFL1  ZZ



(Installation Diagram)



**M** Material: SUJ2  
 Bearing Accuracy JIS B 1514 Class 0

RoHS10

For details on the tolerance and allowable values of inner and outer rings, see **P2243**

Part Number	d	D	B	D <sub>1</sub>	C	r (min)	Basic Load Rating		Allowable Rotational Speed rpm (Reference)	Relative Dimensions		Mass (g) (Reference)	Unit Price
							Cr (Dynamic) N	Cor (Static) N		Ds (min)	R (max)		
FL682ZZ	2	5	2.3	6.1	0.6	0.08	169	50	85000	2.7	0.08	0.22	
FL692ZZ		6	3.0	7.5	0.8	0.15	330	98	75000	3.0	0.15	0.48	
FL682AZZ	2.5	6	2.6	7.1	0.8	0.15	208	74	71000	3.7	0.08	0.36	
FL692AZZ		7	3.5	8.5	0.9	0.1	385	127	63000	3.85	0.15	0.68	
FL673ZZ	3	6	2.5	7.2	0.6	0.1	208	74	71000	3.6	0.08	0.33	
FL683ZZ		7	3	8.1	0.8	0.15	390	130	63000	3.9	0.1	0.53	
FL693ZZ	3	8	4	9.5	0.9	0.15	560	179	60000			0.97	
FL603ZZ		9	5	10.5	1	0.15	570	187	56000	4.2	0.15	1.63	
FL623ZZ	4	10	4	11.5	1	0.1	630	218	50000			1.86	
FL674ZZ		7	2.5	8.2	0.6	0.1	222	88	60000	4.6	0.08	0.35	
FL684ZZ	4	9		10.3	1	0.15	640	224	53000	5.0	0.1	1.14	
FL694ZZ		11	4	12.5	1	0.15	715	276	48000	5.2	0.15	1.96	
FL604ZZ	5	12	5	13.5	1	0.2	957	345			0.2	2.53	
FL624ZZ		13	5	15	1	0.1	1300	485	40000	5.6		3.53	
FL675ZZ	5	8	2.5	9.2	0.6	0.1	217	91	53000		0.08	0.41	
FL685ZZ		11	5	12.5	1	0.15	715	281	45000	6.2	0.15	2.18	
FL695ZZ	5	13	4	15	1	0.2	1080	430	43000	6.6	0.2	2.84	
FL605ZZ		14	5	16	1	0.3	1330	505	40000			3.85	
FL625ZZ	6	16	5	18	1	0.3	1729	670	36000	7.7	0.3	5.3	
FL676ZZ		10	3	11.2	0.6	0.1	465	196	45000	6.6	0.1	0.77	
FL686ZZ	6	13	5	15	1.1	0.15	1080	440	40000	7.0	0.15	3.04	
FL696ZZ		15	5	17	1.2	0.2	1350	530	36000	7.6	0.2	4.26	
FL606ZZ	6	17	6	19	1.5	0.3	2190	835	38000			6.61	
FL626ZZ		19	6	22	1.5	0.3	2336	885	32000	8	0.3	9.09	
FL678ZZ	8	12	3.5	13.6	0.8	0.1	515	252	40000	8.8	0.1	1.15	
FL688ZZ		16	5	18	1.1	0.2	1610	710	36000	9.6	0.2	4.47	
FL698ZZ	8	19	6	22	1.5	0.3	1990	865		10	0.3	8.3	
FL608ZZ		22	7	25	1.5	0.3	3350	1400	34000			13	
FL6700ZZ	10	15	4	16.5	0.8	0.15	855	435	15000	10.3	0.15	2.1	
FL6800ZZ		19	5	21	1	0.3	1716	840	37000	12	0.3	6.1	
FL6900ZZ	10	22	6	25	1.5	0.3	2695	1273	34000	13.2		11.1	
FL6701ZZ		18	4	19.5	0.8	0.2	926	530	13000	12.4	0.2	3.4	
FL6801ZZ	12	21	5	23	1.1	0.3	1915	1041	33000	14	0.3	7.1	
FL6901ZZ		24	6	26.5	1.5	0.3	2886	1466	31000			13.2	
FL6702ZZ	15	21	4	22.5	0.8	0.2	937	582	11000	15.4	0.2	3.9	
FL6802ZZ		24	5	26	1.1	0.3	2073	1253	28000	17	0.3	8.3	
FL6902ZZ	15	28	7	30.5	1.5	0.3	4321	2259	26000			19.9	
FL6703ZZ		23	4	24.5	0.8	0.2	1000	658	9500	17.4	0.2	4.4	
FL6803ZZ	17	26	5	28	1.1	0.3	2233	1456	26000	19	0.3	8.9	
FL6903ZZ		30	7	32.5	1.5	0.3	4588	2565	23000			21.4	
FL6704ZZ	20	27	4	28.5	0.8	0.2	1041	729	8500	20.4	0.2	6.3	
FL6804ZZ		32	7	35	1.5	0.3	4015	2462	21000	22		19.8	
FL6904ZZ	20		9	40	2	0.3	6381	3682	19000		0.3	42.8	
FL6805ZZ		37	7		1.5	0.3	4303	2932	18000	27		26.1	
FL6905ZZ	25	42	9	45	2	0.3	7001	4540	16000			50.2	

■ Non-Standard Size

Part Number	d	D	B	D <sub>1</sub>	C	r (min)	Basic Load Rating		Allowable Rotational Speed rpm (Reference)	Relative Dimensions		Mass (g) (Reference)	Unit Price
							Cr (Dynamic) N	Cor (Static) N		Ds (min)	R (max)		
MFL104ZZ	4	10	4	11.6	0.8	0.15	710	270	48000	5.9	0.15	1.5	
MFL105ZZ	5						430	168	50000	6		1.38	
MFL126ZZ	6						12	13.6	43000	7.2		1.86	
MFL148ZZ	8						14	15.6	817	385		38000	

⚠ kgf=Nx0.101972

Ordering Example **Part Number**  
**FL606ZZ**  
**FL6702ZZ**