


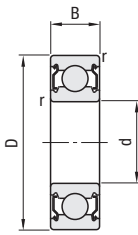
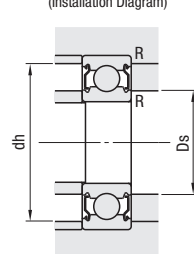
# Stainless Steel Deep Groove Ball Bearings

## Double Shielded

⚠ This product can be used even when heavy load, high rotation speed, and high rotational accuracy are required. See **P.996** for the C-VALUE Product description of this item.



**SB6**□□□ZZ

Material: SUS440C Equivalent  
Bearing Accuracy JIS B 1514 Class 0

For details on the tolerance and allowable values of inner and outer rings, see **P.2243**

Part Number	d	D	B	r (min)	Basic Load Rating		Allowable Rotational Speed rpm (Reference)	Relative Dimensions				Mass (g) (Reference)	Unit Price	
					Cr (Dynamic) kN	Cor (Static) kN		Ds		dh (max)	R (max)			
SB6700ZZ	10	15	4	0.2	0.68	0.34	15000	10.4	11.21	14.2	0.2	2		
SB6800ZZ		19	5	0.3	1.46	0.67	34000	12	12.5	17	0.3	5		
SB6900ZZ		22	6		2.29	1.02	32000		13	20		9		
SB6000ZZ		26	8	3.87	1.58	30000	14	13.5	24	0.6	19			
SB6200ZZ		30	9	4.35	1.91	24000		16	26		32			
SB6300ZZ		35	11	6.87	2.75	21000		16.5	31		52			
SB6701ZZ	12	18	4	0.2	0.73	0.42	13000	12.4	13.86	16.7	0.2	3		
SB6801ZZ		21	5	1.63	0.83	32000	14	14.5	19	0.3	6			
SB6901ZZ		24	6	2.45	1.18	30000		15	22		11			
SB6001ZZ		28	8	4.35	1.91	27000	16	16	26	0.6	21			
SB6201ZZ		32	10	5.78	2.44	22000		17	28		37			
SB6301ZZ		37	12	8.24	3.36	19000		18	32		60			
SB6702ZZ	15	21	4	0.2	0.74	0.46	11000	15.4	16.86	19.7	0.2	4		
SB6802ZZ		24	5	1.76	1.00	27000	17	17.5	22	0.3	7			
SB6902ZZ		28	7	3.67	1.81	26000		19	26		16			
SB6002ZZ		32	9	4.76	2.27	23000	19	19	30	0.6	30			
SB6202ZZ		35	11	6.50	2.96	19000		20	31		45			
SB6302ZZ		42	13	9.71	4.37	17000		22	37		83			
SB6703ZZ	17	23	4	0.2	0.85	0.52	9500	17.4	18.86	21.1	0.2	4		
SB6803ZZ		26	5	1.90	1.16	25000	19	19.5	24	0.3	8			
SB6903ZZ		30	7	3.90	2.05	23000		20	28		18			
SB6003ZZ		35	10	5.09	2.63	20000	21	21	33	0.6	39			
SB6203ZZ		40	12	8.13	3.85	17000		22	36		66			
SB6303ZZ		47	14	11.5	5.33	15000		25	42		113			
SB6704ZZ	20	27	4	0.2	1.12	0.57	8500	20.4	22.36	25.5	0.2	6		
SB6804ZZ		32	7	3.41	1.97	20000	22	22.5	30	0.3	19			
SB6904ZZ		37	9	5.42	2.95	19000		24	35		36			
SB6004ZZ		42	12	7.99	4.00	17000	24	26	38	0.6	69			
SB6204ZZ		47	14	10.88	5.28	14000		28	42		106			
SB6304ZZ		52	15	13.49	6.31	13000		28	45.5		145			
SB6805ZZ	25	37	7	0.3	3.66	2.35	18000	27	35	0.3	22			
SB6905ZZ		42	9		5.60	3.63	16000		29		40	42		
SB6005ZZ		47	12	8.59	4.68	15000	29	30.5	43	0.6	80			
SB6205ZZ		52	15	11.90	6.32	12000		32	47		128			
SB6305ZZ		62	17	17.49	9.06	11000		31.5	55.5		235			
SB6806ZZ		30	42	7	0.3	3.86	2.72	15000	32	33	0.3	26		
SB6906ZZ	47		9	6.15		4.01	14000	34		45		48		
SB6006ZZ	55		13	11.20	6.64	12000	35	37	50	1.0	116			
SB6206ZZ	62		16	16.60	9.04	10000		39	57		199			
SB6306ZZ	72		19	22.63	12.08	9200		36.5	65.5		345			
SB6807ZZ	35		47	7	0.3	4.02	3.06	13000	37	38	45	0.3	29	
SB6907ZZ		55	10	9.27	6.25	12000	39	40	51	0.6	74			
SB6007ZZ		62	14	13.56	8.25	11000		40	57		155			
SB6207ZZ		72	17	21.81	12.36	9000	41.5	45	65.5	1.0	288			
SB6808ZZ		52	7	4.18	3.34	12000		42	43		50	0.3	33	
SB6908ZZ		62	12	11.63	7.97	11000		44	58		110	0.6	110	
SB6008ZZ	40	68	15	1.0	14.25	9.22	9500	45	47	63	1.0	190		
SB6208ZZ		80	18	24.73	14.33	8200	46.5	73.5	366					
SB6809ZZ		58	7	5.20	4.30	11000	47	47.5	56	0.3		38		
SB6909ZZ		68	12	11.98	8.66	9500		49	64		126	0.6	126	
SB6009ZZ		75	16	15.15	9.6	8800		50	70		241	1.0	241	
SB6209ZZ		85	19	27.79	16.3	7500	51.5	78.5	420		420			
SB6810ZZ	50	65	7	0.3	5.61	4.80	9500	52	52.5	63	0.3	50		
SB6910ZZ		72	12	0.6	12.35	9.35	9000	54	55	68	0.6	135		
SB6010ZZ		80	16	1.0	18.50	14.10	8300	55.0	75.0	261	1.0	261		
SB6210ZZ		90	20	1.1	29.80	19.70	7000	56.5	83.5	454		454		

⚠ kgf=Nx0.101972

Ordering Example **Part Number**  
SB6303ZZ