


# Bearings with Housings

## Block Double Bearings

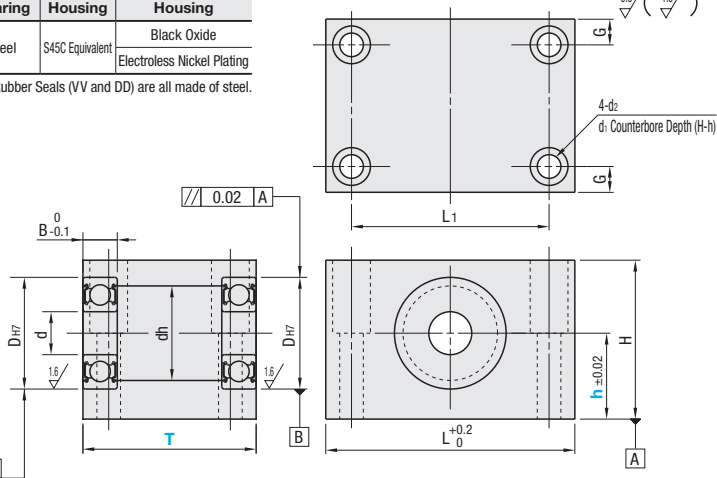


RoHS10

Type	Material		Surface Treatment
	Bearing	Housing	Housing
BGTWB	Steel	S45C Equivalent	Black Oxide
BGTW			Electroless Nickel Plating

⚠ Bearings with Rubber Seals (VV and DD) are all made of steel.

Bearing Accuracy: JIS B 1514 Class 0



Part Number		T		h		d	Dh7	Tolerance	dh	B	H	L	L1	G	d1	d2	Unit Price				
Type	Bearing No.	Selection	Selection	Selection	Selection												BGTWB	BGTW			
BGTWB BGTW	608	25 35	15 20	8	22	+0.021 0	18	7	h+15	53	41	6	9.5	5.5							
	628	25 35	15 20												24	20	8	h+16	56	44	
	6900	25 40	20 25	10	26	+0.025 0	19	6	h+15	53	41										
	6000	25 40	20 25												22	8	h+17	58	46		
	6200	30 40	20 25	12	30	+0.025 0	24	9	h+19	62	50										
	6901	25 40	20 25												21	6	h+16	56	44		
	6001	25 40	20 25	15	28	+0.021 0	24	8	h+18	60	48										
	6201	30 40	20 25												24	8	h+18	60	48		
	6902	25 50	20 25	17	32	+0.025 0	26	10	h+20	64	52										
	6002	30 50	20 25												28	7	h+18	60	48		
	6202	35 50	25 30	20	35	+0.025 0	28	9	h+20	68	54				7	11	6.5				
	6903	25 50	20 25															32	9	h+22	72
	6003	30 50	25 30	17	30	+0.021 0	27	7	h+19	64	52										
	6203	35 50	25 30															27	7	h+19	64
	6904	35 50	25 30	20	40	+0.025 0	31	10	h+22	70	56										
	6004	40 50	25 30															34	12	h+24	76
	6204	45 50	30 35	17	37	+0.025 0	34	9	h+23	73	59										
																		34	9	h+23	73
			20	42	+0.025 0	36	12	h+25	82	66											
											40	14	h+28	88				72			
				47		40	14	h+28	88	72											

⚠ The price of sealed VV and DD are the price shown in the table multiplied by 1.1.

**Ordering Example**

Part Number	-	T	-	h
Type	Bearing	Seal		
BGTW	6201	VV	-	30 - 20
BGTWB	6000	DD	-	25 - 20

**Alterations**

Part Number	-	T	-	h	-	(NA)
BGTW608WV	-	25	-	20	-	NA

Alteration Code	Bearings Not Assembled
	NA
<b>Spec.</b>	Bearings are shipped unassembled to the housing.