

Bearings with Housings Blocks

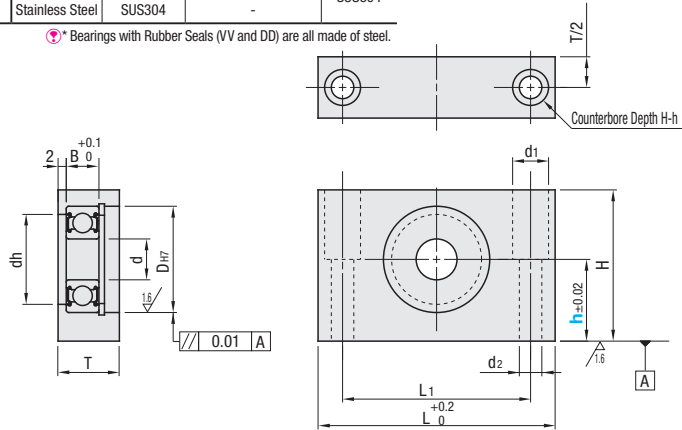


Type	Material		Surface Treatment	Accessory
	Bearing	Housing	Housing	Retaining Ring
BGTKB	Steel	S45C Equivalent	Black Oxide	Spring Steel
BGTK			Electroless Nickel Plating	
SBGTK	Stainless Steel	SUS304	-	SUS304

Bearing Accuracy: JIS B 1514 Class 0

6.3 / (1.6 /)

* Bearings with Rubber Seals (VV and DD) are all made of steel.



Part Number			h Selection	d	DH7	Tolerance	dh	B	H	L	L1	T	d1	d2	Unit Price												
Type	Bearing No.	Seal													BGTKB	BGTK	SBGTK										
BGTKB	608	ZZ Double Shielded (x1.0)	15 20	8	22	+0.021 0	18	7	h+15	53	41	12	9.5	5.5													
	628		15 20		24		20	8	h+16	56	44	15															
	6900		20 25	22	10		26	22	8	h+17	58	46			15												
	6000		20 25	30			24	9	h+19	62	50	15															
	6200		20 25	24	12		24	21	6	h+16	56	44			12												
	6901		20 25	28			24	8	h+18	60	48	15															
	6001		20 25	32	15		28	26	10	h+20	64	52			16	11	6.5										
	6201		20 25	28			25	7	h+18	60	48	12															
	BGTK		6902	20 25	32		17	28	9	h+20	68	54			15												
	6002		20 25	35	29			11	h+22	72	58	16															
	SBGTK		6202	25 30	30		20	27	7	h+19	64	52			13			19	14	9							
			6903	20 25	35			31	10	h+22	70	56			16												
			6003	25 30	40		34	12	h+24	76	62	19															
			6203	25 30	37		34	9	h+23	73	59	15															
			6904	25 30	42		36	12	h+25	82	66																
			6004	25 30	47		40	14	h+28	88	72																
	6204	30 35																									

* The price of sealed VV and DD are the price shown in the table multiplied by 1.1.



Ordering Example

Part Number	h		
Type	Bearing	Seal	
BGTKB	6900	ZZ	- 25
BGTK	6002	VV	- 20



Alterations



Part Number - h - (NA)
BGTK6903ZZ - 25 - NA

Alteration Code	Bearings, Retaining Rings Not Assembled NA
Spec.	Bearings and retaining rings are shipped unassembled to the housing.