

Bearings with Housings

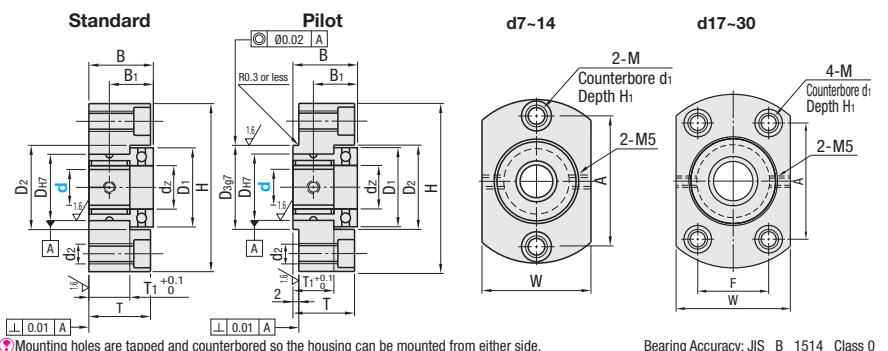
Thrust Bearings



Type		Material	Surface Treatment	Accessory Set Screw
Standard	Pilot			
BGCSB	BGCTB	S45C Equivalent	Black Oxide	SCM435 2 pcs.
BGCS	BGCT		Electroless Nickel Plating	
SBGCS	-	SUS304	-	SUS304 2 pcs.

⚠ Bearings are secured to housings with screws. Remove set screws before replenishing lubricant.

6.3 / (1.6)



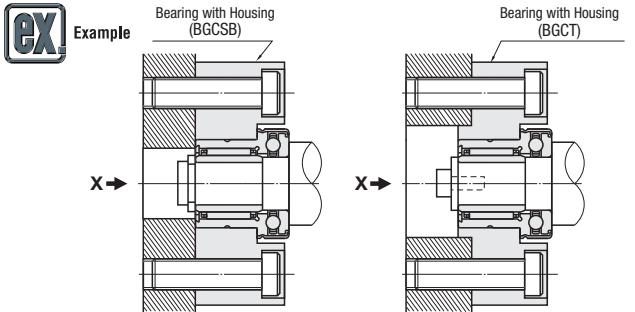
⚠ Mounting holes are tapped and counterbored so the housing can be mounted from either side.

Bearing Accuracy: JIS B 1514 Class 0

Part Number	Type	d	DH7	Tolerance	B	H	W	T	dz	D1	D2	D397	Tolerance	T1	B1	A	F	M (d2)	d1	H1	Bearing Used (P901)				
																						Standard	Pilot		
(Standard)	(Pilot)	7	19	+0.021 0	23	54	38	22	10	25	27	24	-0.007 -0.028	14	15.5	41	-	M8 (6.8)	11	6.5	NKXZ 7				
BGCSB	BGCTB	9	21			56	40		12	27	29	26				43					NKXZ 9				
BGCS	BGCT	12	24			60	15		29	31	30	46				NKXZ12									
SBGCS	-	14	26			25	66		44	24	17	31				33					34	16	17	52	NKXZ14
(Standard)	(Pilot)	17	30	+0.025 0	30	77	54	29	20	36	38	36	-0.009 -0.034	20	20.5	50	32	M10 (8.5)	14	8.6	NKXZ17				
BGCSB	BGCTB	20	37			88	58		25	43	45	45				59	36				NKXZ20				
BGCS	BGCT	25	42			94	64		30	48	50	50				64	39				NKXZ25				
SBGCS	-	30	47			96	66		35	53	55	54				66	40				18	21	66	40	NKXZ30

d	Unit Price				
	Standard			Pilot	
	BGCSB	BGCS	SBGCS	BGCTB	BGCT
7					
9					
12					
14					
17			-		
20			-		
25			-		
30			-		

Ordering Example
Part Number
BGCSB20



⚠ The structure is not designed to retain loads in X (from the left side) direction.