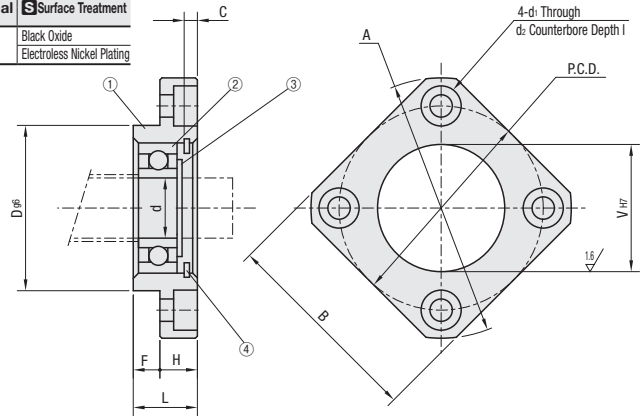


Support Units - Support Side, Round <Convenient> Type with Retaining Ring



Type	Material	Surface Treatment
with Retaining Ring		
BTR	S45C	Black Oxide
BTRM		Electroless Nickel Plating



Component Details

Number	Part Name	Quantity
①	Housing	1
②	Japanese made radial bearing	1
③	Retaining Ring (STWN, S)	1
④	Retaining Ring (RTWN, S)	1

① BURR bearing is Stainless Steel Type filled with low dust generation grease.
③ and ④ Retaining Ring for BURR/BURM/BTRM are of Stainless Steel Type.

Part Number Type	No.	d	L	H	F	D	A	P.C.D.	B	V	d1	d2	l	Retaining Ring		Bearing Type	Retaining Ring	
														C	Retaining Ring			
BTR BTRM	6	6	10	6	4	22	36	28	28	17	3.4	6.5	4	3	RTWN, S17	B606ZZ	STWN, S6	
	10	8	12	7	5	28	43	35	35	22	3.4	6.5		3	RTWN, S22	B608ZZ	STWN, S8	
	12	10	15	7	8	34	52	42	42	26	4.5	8		3	RTWN, S26	B6000ZZ	STWN, S10	
	15	15	17	9	8	40	63	50	52	32	5.5	9.5		5.5	4	RTWN, S32	B6002ZZ	STWN, S15
	20	20	20	11	9	57	85	70	68	47	6.6	11		6.5	4.5	RTWN, S47	B6204ZZ	STWN, S20

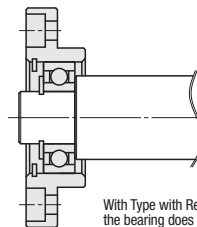
Part Number Type	No.	BTR	BTRM
		Unit Price	Unit Price
BTR BTRM	6	1 ~ 10 pc (s).	1 ~ 10 pc (s).
	10		
	12		
	15		
	20		



Part Number
BUR15



Example



With Type with Retaining Ring,
the bearing does not fall off from the Support Unit.

- ① Details of Bearings in addition to mounting interface accuracies of Support Units, Included Collar and Bearing Nut **P.759**
- ② Low Temperature Black Chrome Plating products are filled with low dust generation grease for cleanrooms.
- ③ Store Accessories with care since they are required when assembling.