

**Points of comparison  
between similar products**

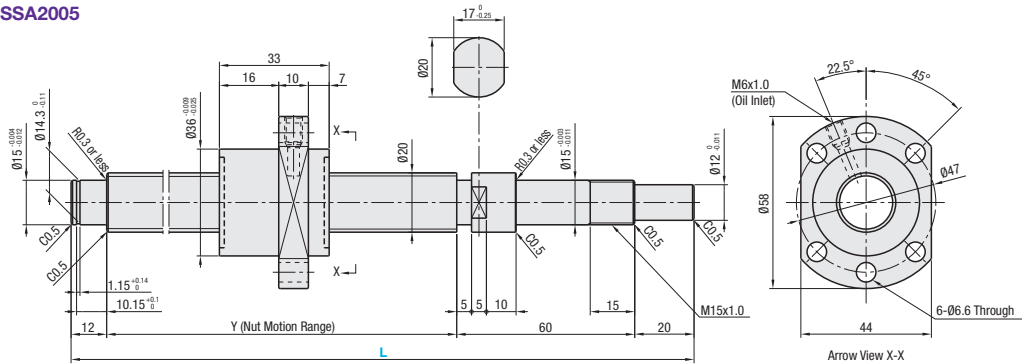
- Due to the difference in load rating and positioning accuracy (lead accuracy + axial play), the price is lower than that of similar products.
- When considering adopting C-VALUE parts, select them by comparing against similar products in the specifications. ☞ P. 745 - P. 746.



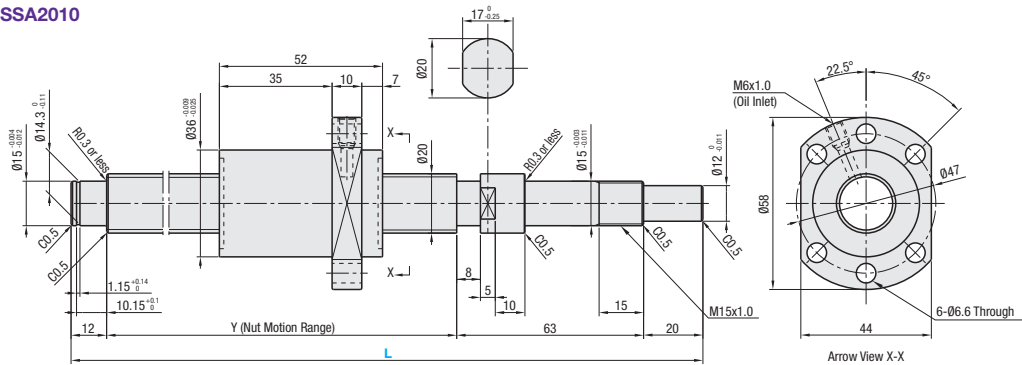
RoHS 10

Nut Type	Type	Accuracy Grade	Shaft Dia.	Lead	Screw Shaft		Nut	
					Material	Hardness	Material	Hardness
Standard Nut	C-BSSA	C5	20	5, 10, 20	S55C	Induction Hardened 58-62 HRC	SCM415	Carburized 58-62 HRC

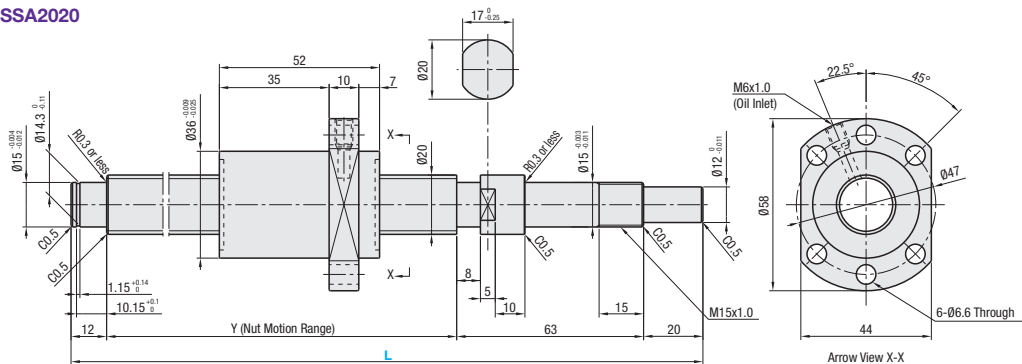
**C-BSSA2005**



**C-BSSA2010**



**C-BSSA2020**



Nut Type	Accuracy Grade	Part Number		1 mm Increments		Y	Ball Dia.	Ball Center Dia.	Screw Root Dia.	Number of Circuits	Basic Load Rating		Axial Clearance	Preload Torque N-cm	Twisting Direction	
		Type	Screw Shaft O.D.	Lead	L						C (Dynamic) kN	Co (Static) kN				
Standard Nut	C5	C-BSSA	20	05	200~1000	L - 92	3.175	21.08	(17.905)	3.8 turns, 1 row	7.1	14.5	0.015 or less	3.0 or less	Right	
				10	250~1500	L - 95		20.75	(17.575)		9.5	17.6				4.0 or less
				20					1.8 turns, 1 row		6.4	11.3				

kgf = N x 0.101972