

# Precision Ball Screws Standard Nut - Shaft Dia. 20, Lead 5, 10, 20

## Accuracy Grade C5, C7

**Points of comparison between similar products** | Consider using this product if the usage environment is a high-load, and high-frequency drive application.

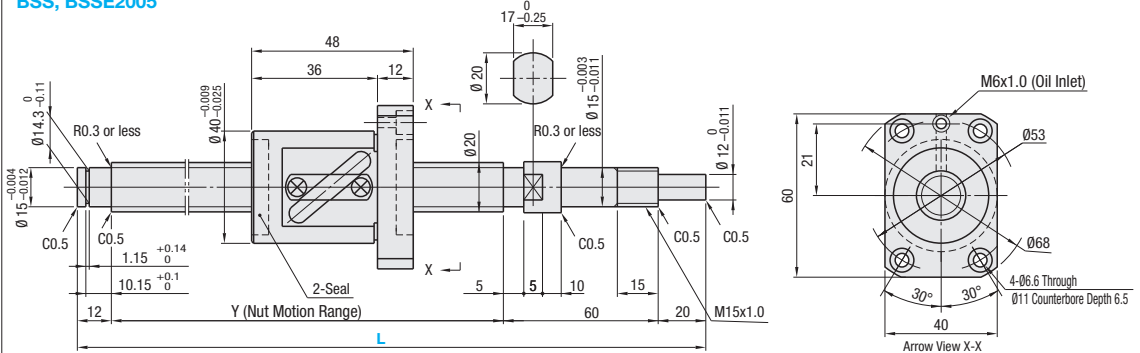


RoHS 10

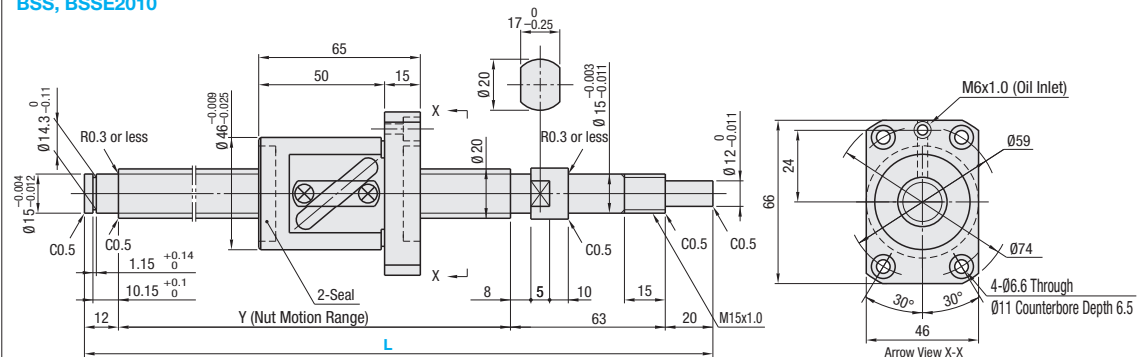
| Nut Type     | Type | Accuracy Grade | Shaft Dia. | Lead      | Screw Shaft |                    | Nut      |            |
|--------------|------|----------------|------------|-----------|-------------|--------------------|----------|------------|
|              |      |                |            |           | Material    | Hardness           | Material | Hardness   |
| Standard Nut | BSS  | C5             | 20         | 5, 10, 20 | AISI4150    | Induction Hardened | SCM420   | Carburized |
|              | BSSE | C7             |            |           |             |                    |          |            |

⚠ Ball bearings will fall out if the ball nut crosses the wrench flats.

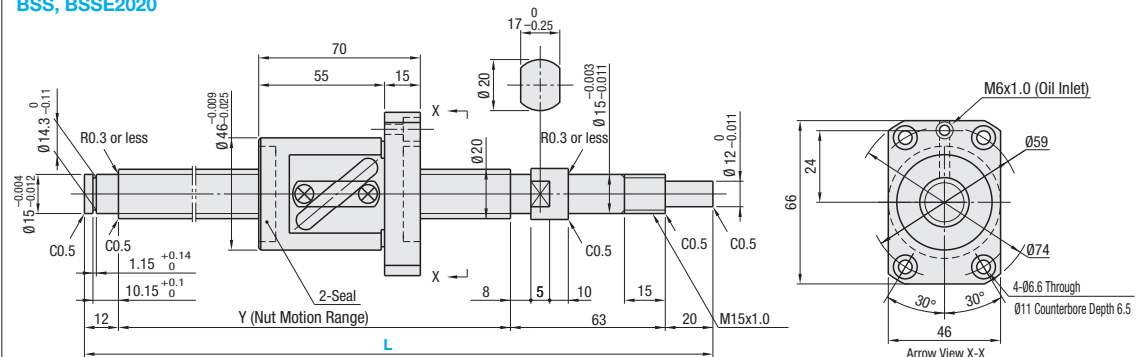
### BSS, BSSE2005



### BSS, BSSE2010



### BSS, BSSE2020



| Nut Type     | Accuracy Grade | Part Number |                  | 1mm Increment | Y        | Ball Dia. | Ball Center Dia. | Screw Root Dia. | Number of Circuits | Basic Load Rating |      | Axial Play | Preload Torque N-cm | Twisting Direction |                |
|--------------|----------------|-------------|------------------|---------------|----------|-----------|------------------|-----------------|--------------------|-------------------|------|------------|---------------------|--------------------|----------------|
|              |                | Type        | Screw Shaft O.D. |               |          |           |                  |                 |                    | Lead              | L    |            |                     |                    | C (Dynamic) kN |
| Standard Nut | C5             | BSS         | 20               | 05            | 200-1000 | L-92      | 3.175            | 20.8            | (17.5)             | 2.5 turns, 1 row  | 8.35 | 17.5       | 0.005 or Less       | 3.0 or Less        | Right          |
|              | C7             | BSSE        |                  |               |          |           |                  |                 |                    |                   | 13.5 | 25.1       | 0.030 or Less       | -                  |                |
|              | C5             | BSS         |                  | 10            | 250-1500 | L-95      | 4.7625           | 21              | (16)               | 1.5 turns, 1 row  | 9.2  | 16.2       | 0.005 or Less       | 4.0 or Less        |                |
|              | C7             | BSSE        |                  |               |          |           |                  |                 |                    |                   |      |            | 0.030 or Less       | -                  |                |
|              | C5             | BSS         |                  | 20            | 250-1500 | L-95      | 4.7625           | 21              | (15.9)             | 1.5 turns, 1 row  | 9.2  | 16.2       | 0.005 or Less       | 4.0 or Less        |                |
|              | C7             | BSSE        |                  |               |          |           |                  |                 |                    |                   |      |            | 0.030 or Less       | -                  |                |

Kgf=Nx0.101972