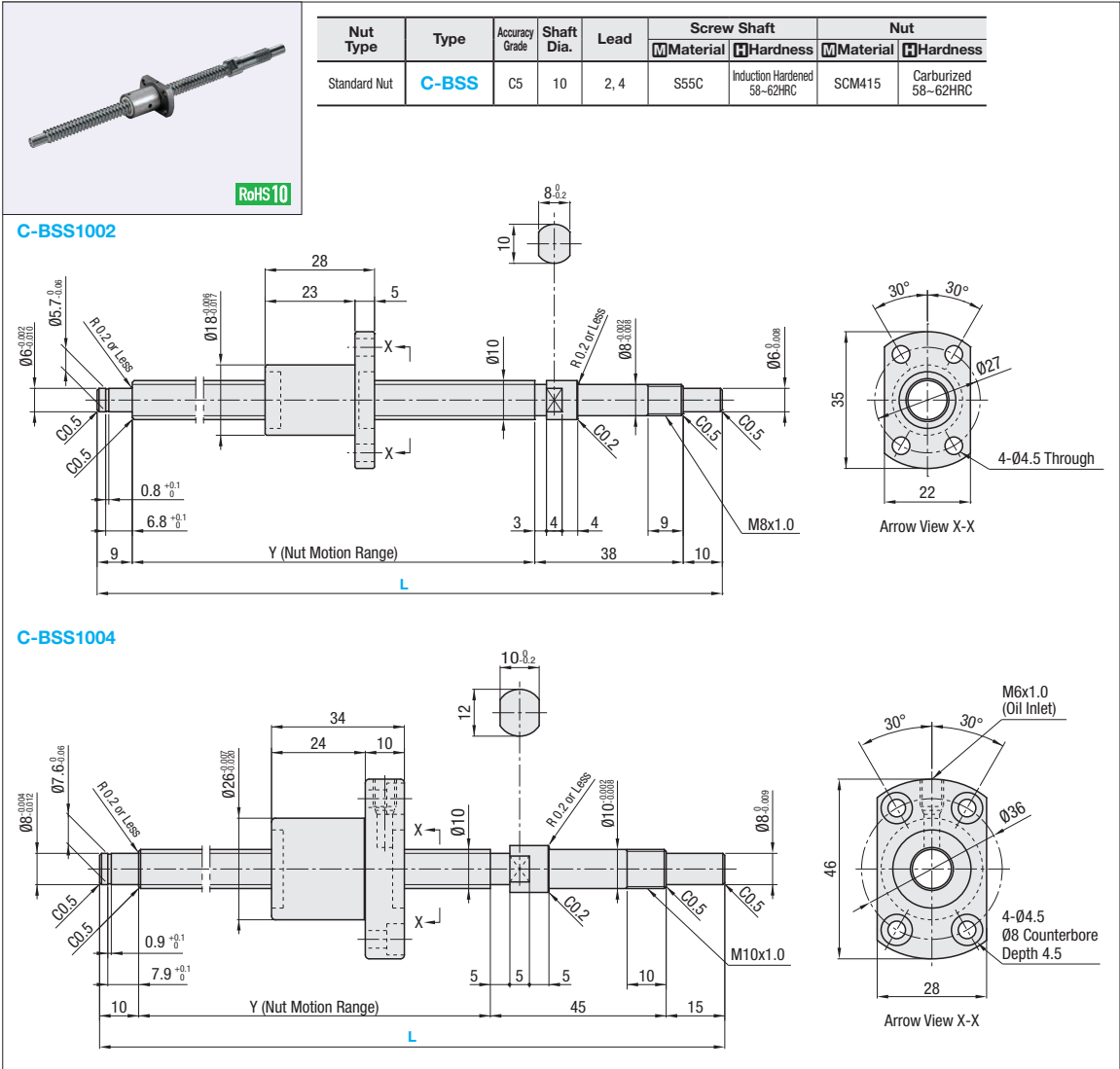


Points of comparison between similar products C-VALUE parts' load rating and nut dimensions are different from similar parts. (For details, see P677~ P679) When considering C-VALUE parts, choose by comparing the specifications against similar parts.



Nut Type	Accuracy Grade	Part Number		1mm Increment L	Y	Ball Dia.	Ball Center Dia.	Screw Root Dia.	Number of Circuits	Basic Load Rating		Axial Clearance	Preload torque N·cm	Twist Direction	
		Type	Screw Shaft O.D.							C (Dynamic) kN	Co (Static) kN				
Standard Nut	C5	C-BSS	10	02	100~315	L-57	1.2	10.41	(9.21)	1 turn	1.6	2.3	0.008 or Less	0.5 or Less 1.0 or Less	Right
				04	150~380	L-70	2	10.68	(8.68)	3 rows	2.3	4.1			

kgf=Nx0.101972

Nut Type	Accuracy Grade	Part Number	Unit Price 1 ~ 4 pc(s).		
			L100~248	L249~250	L251~380
Standard Nut	C5	C-BSS1002			
		C-BSS1004			



Ordering Example

Part Number - L
C-BSS1002 - 200