

Precision Ball Screws Standard Nut - Shaft Dia. 10, Lead 2, 4, 10

Accuracy Grade C3, C5, C7

Points of comparison between similar products | Consider using this product if the usage environment is a high-load, and high-frequency drive application.

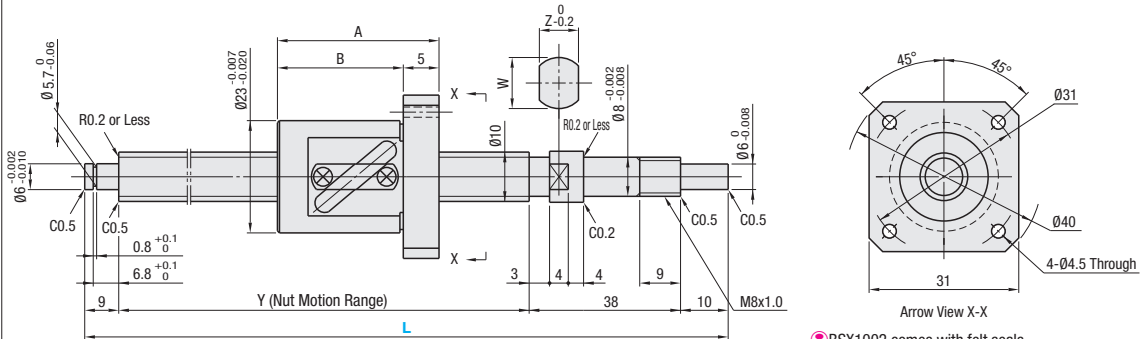


RoHS 10

Nut Type	Type	Accuracy Grade	Shaft Dia.	Lead	Screw Shaft		Nut	
					Material	Hardness	Material	Hardness
Standard Nut	BSX	C3	10	2	*AISI4150	*Induction Hardened 58-62HRC	SCM420	Carburized 58-62HRC
	BSS	C5		2, 4, 10				
	BSSE	C7		2, 4				

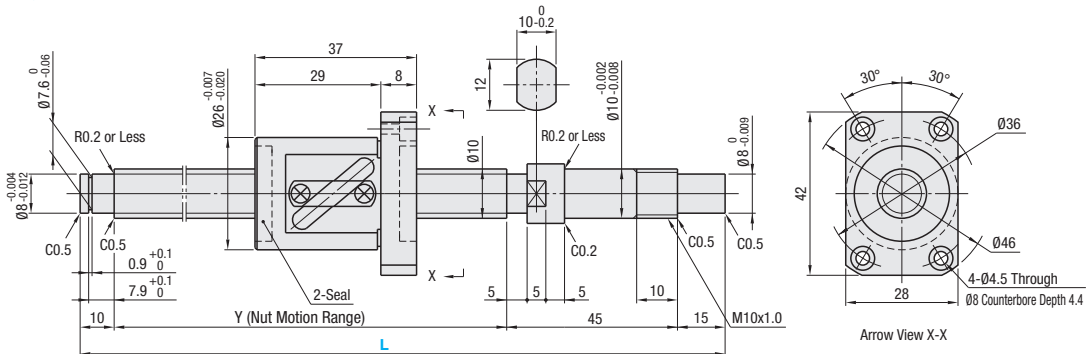
*For 1002, screw shaft material SCM415 is carburized.

BSX, BSS, BSSE1002

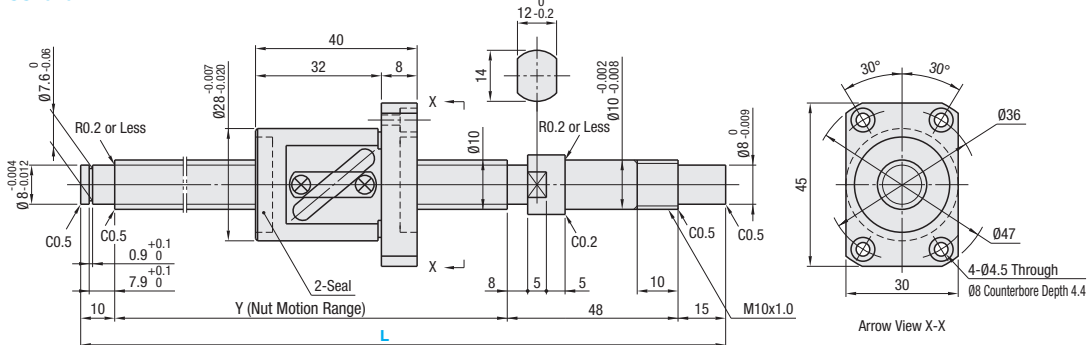


BSX1002 comes with felt seals.

BSS, BSSE1004



BSS1010



Nut Type	Accuracy Grade	Part Number		1mm Increment	Y	A	B	Z	W	Ball Dia.	Ball Center Dia.	Screw Root Dia.	Number of Circuits	Basic Load Rating		Axial Play	Preload Torque N·cm	Twisting Direction				
		Type	Screw Shaft O.D.											Lead	C (Dynamic) kN				Co (Static) kN			
Standard Nut	C3	BSX	10	02	L-57	30	25	10	11.5	1.5875	10.3	(8.6)	2.5 turns, 1 row	1.41	1.65	0 (Preload)	0.3-2.5	Right				
	C5	BSS												2.25	3.3	0.005 or Less	0.5 or Less					
	C7	BSSE		3.35		5.9	0.030 or Less	-														
	C5	BSS		04		150-380	L-70	-	-					-	-	2.3812	10.6		(8.1)	1.5 turns, 1 row	0.005 or Less	1.0 or Less
	C7	BSSE																			0.030 or Less	-
	C5	BSS		10		150-450	L-73	-	-					-	-	-	-		-	-	0.005 or Less	1.0 or Less

kgf=Nx0.101972