

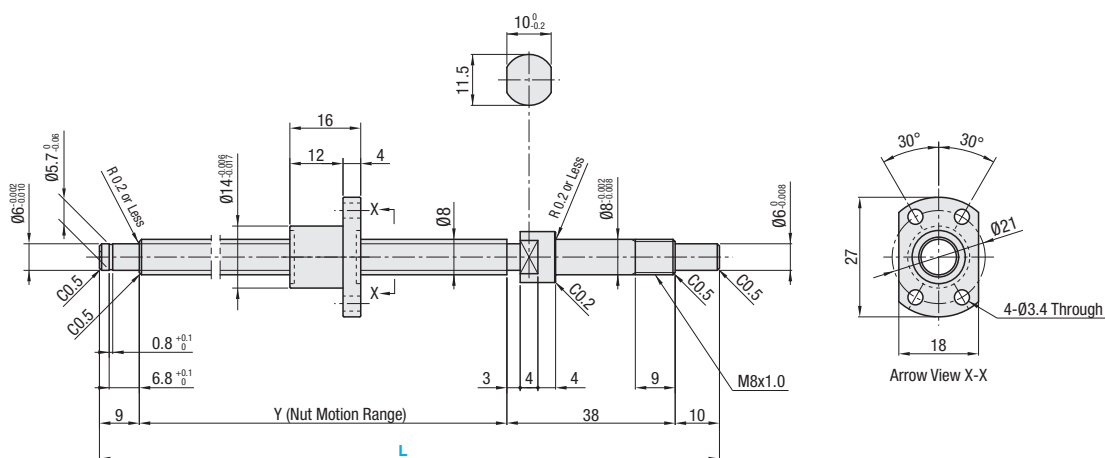
Points of comparison between similar products | C-VALUE parts' load rating, axial clearance and nut dimensions are different from similar parts. (For details, see P.677- P.679) When considering C-VALUE parts, choose by comparing the specifications against similar parts.



RoHS 10

| Nut Type | Type | Accuracy Grade | Shaft Dia. | Lead | Screw Shaft | | Nut | |
|--------------|-------|----------------|------------|------|-------------|-----------------------------|----------|---------------------|
| | | | | | Material | Hardness | Material | Hardness |
| Standard Nut | C-BSS | C5 | 8 | 2 | S55C | Induction Hardened 58-62HRC | SCM415 | Carburized 58-62HRC |

C-BSS0802



| Nut Type | Accuracy Grade | Part Number | | | 1mm Increment L | Y | Ball Dia. | Ball Center Dia. | Screw Root Dia. | Number of Circuits | Basic Load Rating | | Axial Clearance | Preload torque N·cm | Twist Direction |
|--------------|----------------|-------------|------------------|------|-----------------|------|-----------|------------------|-----------------|--------------------|-------------------|----------------|-----------------|---------------------|-----------------|
| | | Type | Screw Shaft O.D. | Lead | | | | | | | C (Dynamic) kN | Co (Static) kN | | | |
| Standard Nut | C5 | C-BSS | 08 | 02 | 100-210 | L-57 | 1.2 | 8.41 | (7.21) | 1 turn 3 rows | 1.4 | 1.8 | 0.008 or Less | 0.5 or Less | Right |

kgf=Nx0.101972

| Nut Type | Accuracy Grade | Part Number | Unit Price 1 ~ 4 pc(s). |
|--------------|----------------|-------------|-------------------------|
| | | | L100-210 |
| Standard Nut | C5 | C-BSS0802 | |



Ordering Example

Part Number - L
C-BSS08002 - 150