

Rolled Ball Screws Standard Nut - Shaft Dia.12, 14, Lead 4, 5, 10

Accuracy Grade C7, C10

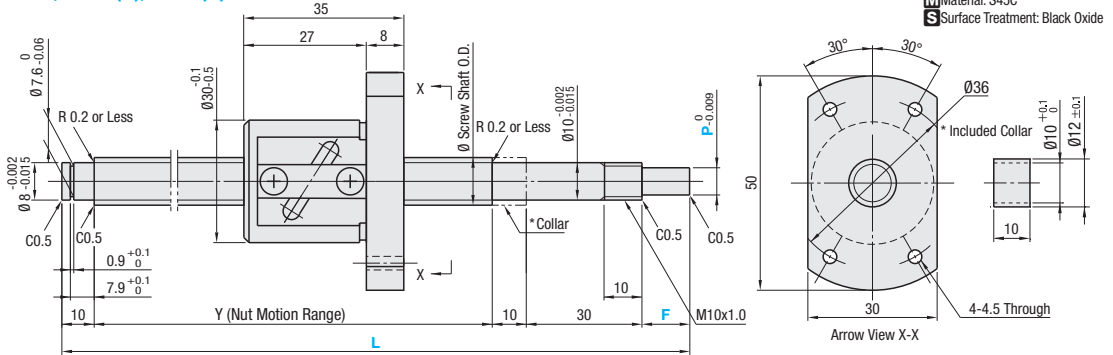
Points of comparison between similar products | Consider using this product if the usage environment is a high-load, and high-frequency drive application.



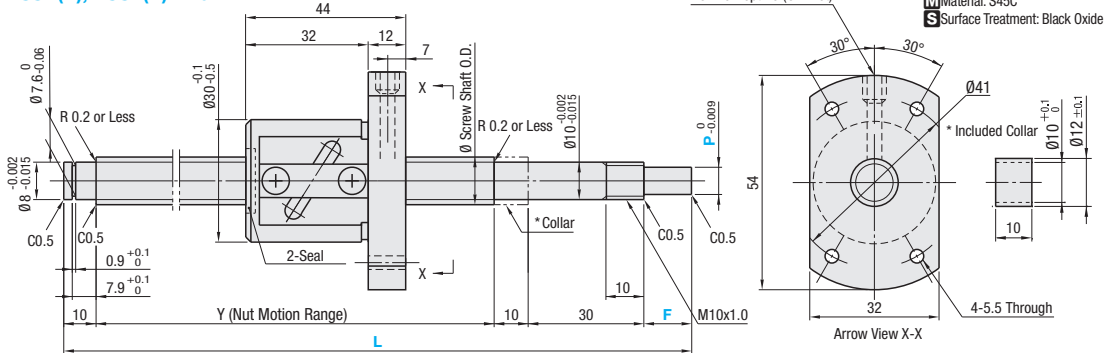
RoHS10

Nut Type	Type		Accuracy Grade	Shaft Dia.	Lead	Screw Shaft			Nut		
	Standard	F, P Configurable				Material	Hardness	Surface Treatment	Material	Hardness	Surface Treatment
Standard Nut	BSST	-	C7	12	4	S55C	Induction Hardened 56-62HRC	Phosphate Conversion Coating	SCM420	Carburized 58-62HRC	Phosphate Conversion Coating Low Temperature Black Chrome
	BSSR	BSSRK	C10	12, 14	4, 5, 10						
	BSSZ	BSSZK									

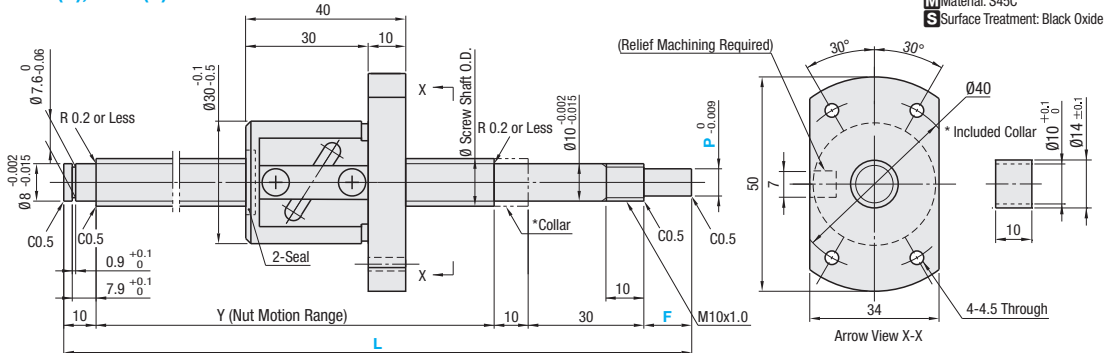
BSST, BSSR(K), BSSZ(K)1204



BSSR(K), BSSZ(K)1210



BSSR(K), BSSZ(K)1405



Nut Type	Accuracy Grade	Part Number		1mm Increment			Y	Ball Dia.	Ball Center Dia.	Screw Root Dia.	Number of Circuits	Basic Load Rating C (Dynamic) kN	Axial Play	Twisting Direction	
		Type	Screw Shaft O.D.	Lead	*F	*P									
Standard Nut	C7	BSST	12	04	150-795	15	8	L-65	2.3812	12.6	(10)	2.5 turns, 1 row	2.6	5.8	0.03 or Less
		BSSR													
		BSSZ													
		BSSRK													
		BSSZK													
		BSSZK													
	C10	BSSR	10	150-800	15	8	L-65	3.175	12.8	(9.6)	1.5 turns, 1 row	2.85	4.95	0.10 or Less	
		BSSRK													
		BSSZK													
		BSSR BSSZ													
		BSSRK BSSZK													
		BSSRK BSSZK													

* F and P are configurable for BSSRK and BSSZK only. P=F=Px3

kgf=Nx0.101972