

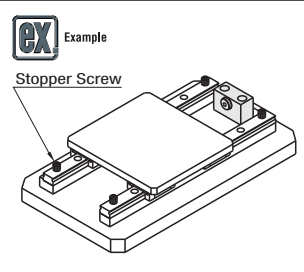
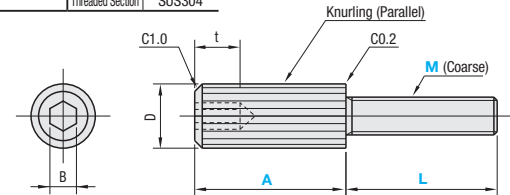
Note that, for some of the types shown here, order might be unable to be received by the MISUMI Malaysia, Indonesia and/or India offices.

Linear Guide Stopper Bolts / Linear Guide Block Stopper Plates

Rail Mounting Hole Caps / Rail Push Plates

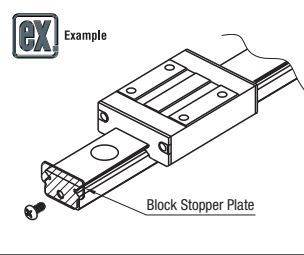
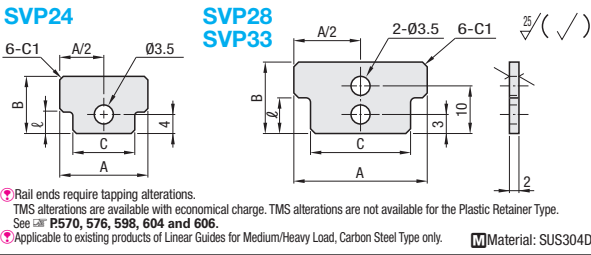


Type	Material	* SBLT.J is a hex socket set screw with a heat bonded urethane head.
SBLT	SUS303	
SBLTJ	Knurled Head Urethane (Shore A90) Threaded Section SUS304	



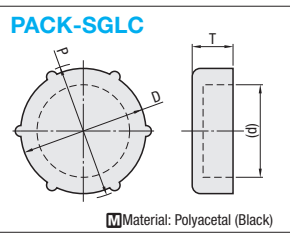
Part Number	Type	M (Coarse)	L	A	D	B		t		SBLT		SBLTJ	
						SBLT	SBLTJ	SBLT	SBLTJ	Unit Price	Volume Discount Rate	Unit Price	Volume Discount Rate
		3	8 10 12	6 8 10	5.5	2.5	1.5	3	2	1 - 9 pc(s)	10 - 30 pcs	1 - 9 pc(s)	10 - 30 pcs
SBLT		4	10	8	7	3	2	3.5	2.5				
SBLTJ		5	16	18	8.5	4	2.5	4	3				
		6	18	20	10	5	3	5	3.5				

For orders larger than indicated quantity, please request a quotation.



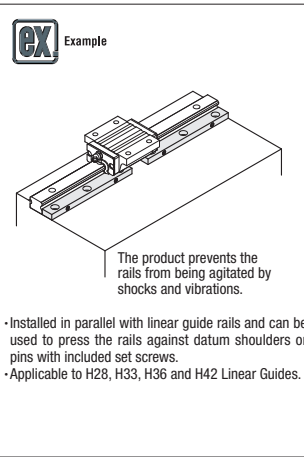
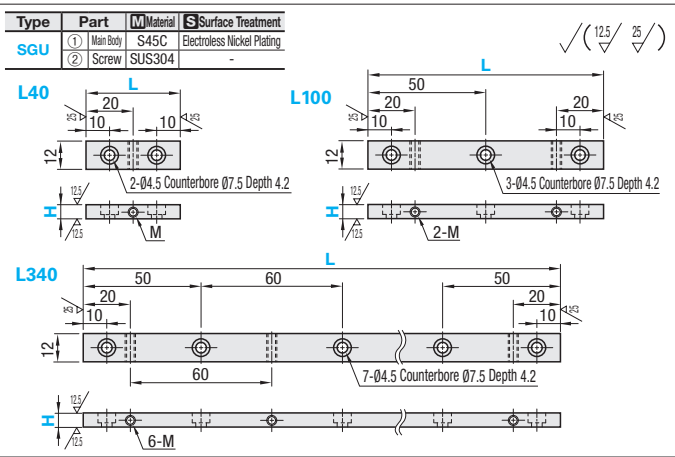
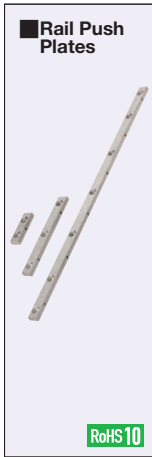
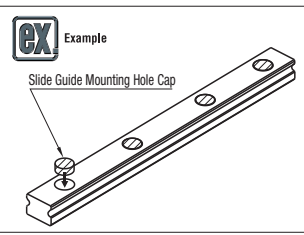
Part Number	Type	No.	A	B	C	ℓ	Unit Price	Volume Discount Rate
							1 - 9 pc(s)	10 - 100 pcs
SVP	24	19	12	14	4.5			
	28	26	15	19	6			
	33	29	19	22	7			

For orders larger than indicated quantity, please request a quotation.



Part Number	Type	M (Applicable Screw Hole)	D	P	T (d)	Qty. per Pkg.	Unit Price
							1 - 5 pkg(s)
PACK-SGLC	3	5.8	6.2	1.5	4.2	100	
	5	9.3	9.7	3	7.3	pcs. / pkg.	
	6	10.8	11.2	3	8.8	pkg.	

PACK-SGLC3 has 4 protrusions.
Prevents foreign substances such as cutting chips from intruding into mounting holes.
For orders larger than indicated quantity, please request a quotation.



Part Number	Type	H	L Selection	Tapped Hole M	Included Screw Size	Unit Price	Volume Discount Rate
						1 - 9 pc(s)	10 - 15 pcs
SGU	5	40	100	3	M3-12		
		340			M3-12		
	6	40	100	4	M4-12		
		340			M4-12		



Ordering Example	Part Number	L	A
	SBLT3	10	8
	SVP24		
	PACK-SGLC3		
	SGU5	100	

For orders larger than indicated quantity, please request a quotation.