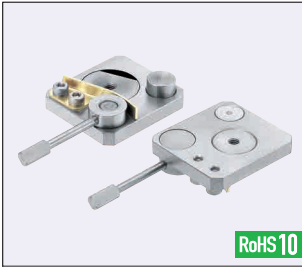


# Linear Guide Clamps

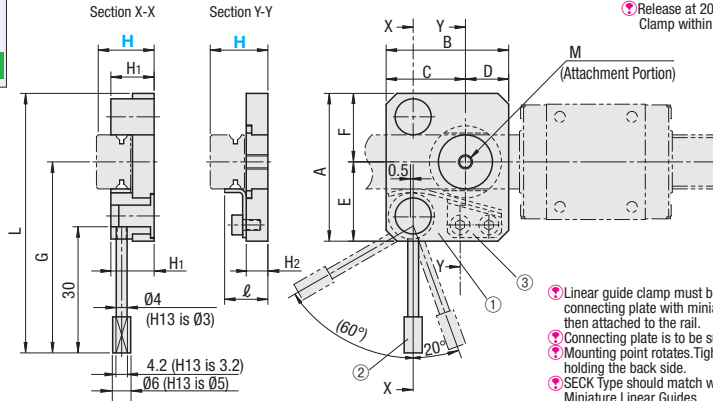
For Miniature Linear Guides



RoHS 10

Type	Part	Material
SECK SECWK	① Main Body	SUS304
	② Lever	SUS304
	③ Contacts	C2801P

■ **Tightening Force and Retaining Force**  
40 N or More (Lever End)  
Retaining Force (Reference) 70-105 N



⚙️ Release at 20° to the right.  
Clamp within 60° range to the left.

- ⚙️ Linear guide clamp must be mounted to a connecting plate with miniature linear guide first, then attached to the rail.
- ⚙️ Connecting plate is to be supplied by user.
- ⚙️ Mounting point rotates. Tighten the screw by holding the back side.
- ⚙️ SECK Type should match with H dimension of Miniature Linear Guides.
- ⚙️ SECWK Type should match with H dimension of Miniature Linear Guides Wide Type.
- ⚙️ The lever ② can be screwed off.

Part Number		A	B	C	D	E	F	M	H <sub>1</sub>	H <sub>2</sub>	ℓ	L	G	Retaining Force (Reference)	Unit Price
Type	H														
SECK	13	38	34	22	12	20.5	17.5	M4	10	5	10	64	46.5	70N	
	16	41	34	22	12	22	19		12	6	12	67	48	95N	
SECWK	14	50	34	22	12	26.5	23.5	M5	11	5	11	76	52.5	75N	
	16	68	34	20.5	13.5	35.5	32.5		13	6	13	94	61.5	105N	

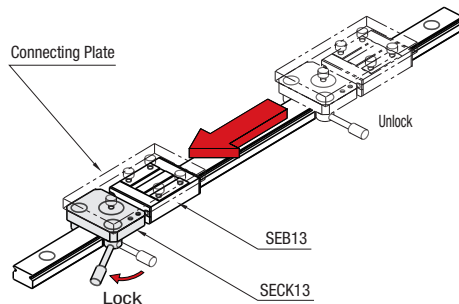


Ordering Example

Part Number  
**SECK13**



Example



## ■ Characteristics of Linear Guide Clamp

Linear guide blocks can be locked at arbitrary positions by rotating a lever. Convenient when simple position retaining utility is needed.

\*When using the Linear Guide Clamps in inclined or vertical applications, provide external means to prevent the slider from falling.