

Note that, for some of the types shown here, order might be unable to be received by the MISUMI Thailand, Malaysia, and/or Indonesia offices.

Single Axis Robot RSH2 - Straight

Components: Actuator, Controller, Cable, (Battery), (Noise Filter)

Accessory

Controller I/O Specifications			
Accessory	NPN, PNP	CC-Link	DeviceNet
	Instruction Manual (CD-ROM), Power Connector, EXT Connector, Dummy Connector		DeviceNet Connector
		CC-Link Connector DeviceNet Connector	

Robot Material / Surface Treatment

Components	Base Frame	Guide Rail	Slider	Side Cover
Material	Aluminum	Steel	Aluminum	Aluminum
Surface Treatment	Anodize	-	Anodize	Anodize

General Specifications

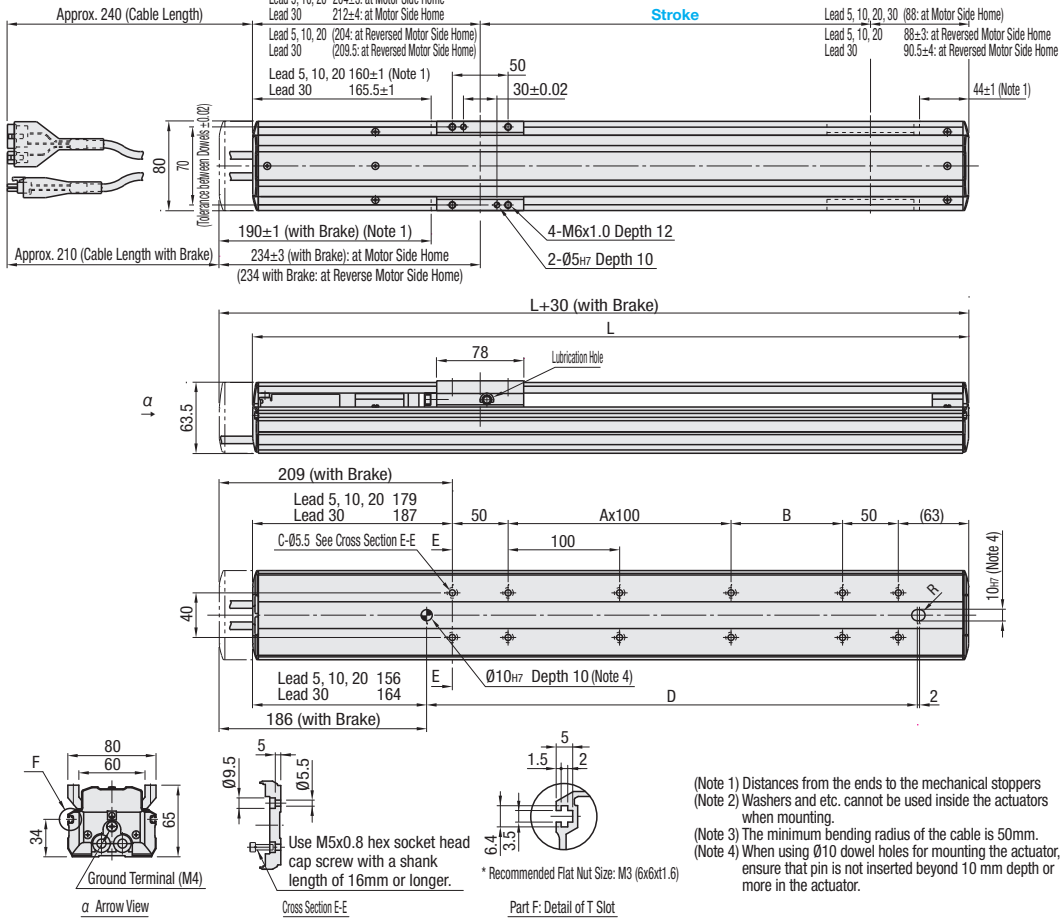
Ball Screw	Motor	Position Detector	Operating Ambient Temperature, Humidity
Ø15 (C7 Rolled)	AC Servo 100W	Resolver	0~40°C, 35~85%RH (No Condensation)

Controller Specifications **P.497-506** Cycle Time Graph **P.455** Clean Room Specifications are available on our website.

Standard Specifications FAQ **P.504**

Type	Lead (mm)	Positioning Repeatability (mm)	Max Load Capacity (kg)		Rated Force (N)	Max. Velocity (Note) (mm/sec)	Stroke (mm)	Rated Running Life	Input Power Supply	Maximum Positioning Point
RSH2	05	±0.01	Horizontal	Vertical	339	300~120	150~1050 (50 Pitch)	10,000 km or More	Single-phase AC 100~115V 200~230V ±10%	255 points
	10		50	16						
	20		40	8						
	30		20	4						
			7	-	56	1800~720				

(Note) Maximum velocities allowed may vary depending on the stroke length selected. Please refer to the "Recommended Maximum Velocities" table.



(Note 1) Distances from the ends to the mechanical stoppers
(Note 2) Washers and etc. cannot be used inside the actuators when mounting.
(Note 3) The minimum bending radius of the cable is 50mm.
(Note 4) When using Ø10 dowel holes for mounting the actuator, ensure that pin is not inserted beyond 10 mm depth or more in the actuator.

Dimensions / Mass

Type	Dimensions / Mass	Stroke (mm)																			
		150	200	250	300	350	400	450	500	550	600	650	700	750	800	850	900	950	1000	1050	
RSH2	L (Lead 5, 10, 20)	442	492	542	592	642	692	742	792	842	892	942	992	1042	1092	1142	1192	1242	1292	1342	
	L (Lead 30)	450	500	550	600	650	700	750	800	850	900	950	1000	1050	1100	1150	1200	1250	1300	1350	
	A(mm)	0	0	1	1	2	2	3	3	4	4	5	5	6	6	7	7	8	8	8	9
	B(mm)	100	150	100	150	100	150	100	150	100	150	100	150	100	150	100	150	100	150	100	150
	C(mm)	8	8	10	10	12	12	14	14	16	16	18	18	20	20	22	22	24	24	24	26
	D(mm)	240	290	340	390	440	490	540	590	640	690	740	790	840	890	940	990	1040	1090	1140	1190
	Mass (kg)	3.9	4.2	4.5	4.8	5.1	5.4	5.7	6.1	6.4	6.7	7.0	7.3	7.6	7.9	8.2	8.5	8.8	9.2	9.5	

⚠ The brake adds 0.3 kg to the mass.