

Single Axis Robots RS3 - Motor Folded

Controller

Actuator

Cable

Instruction Manual CD-ROM

■ **Components:** Actuator, Controller, Cable

■ **Accessory**

Controller I/O Specifications			
Accessory	A	NPN, PNP	CC-Link
		DeviceNet	CC-Link
		Power Connector	Dummy Connector
		CC-Link Connector	DeviceNet Connector

■ **Robot Material / Surface Treatment**

Components	Guide Rail	Slider	Side Cover
M	Steel	Aluminum	Aluminum
S	Surface Treatment	-	Anodize

■ **General Specifications**

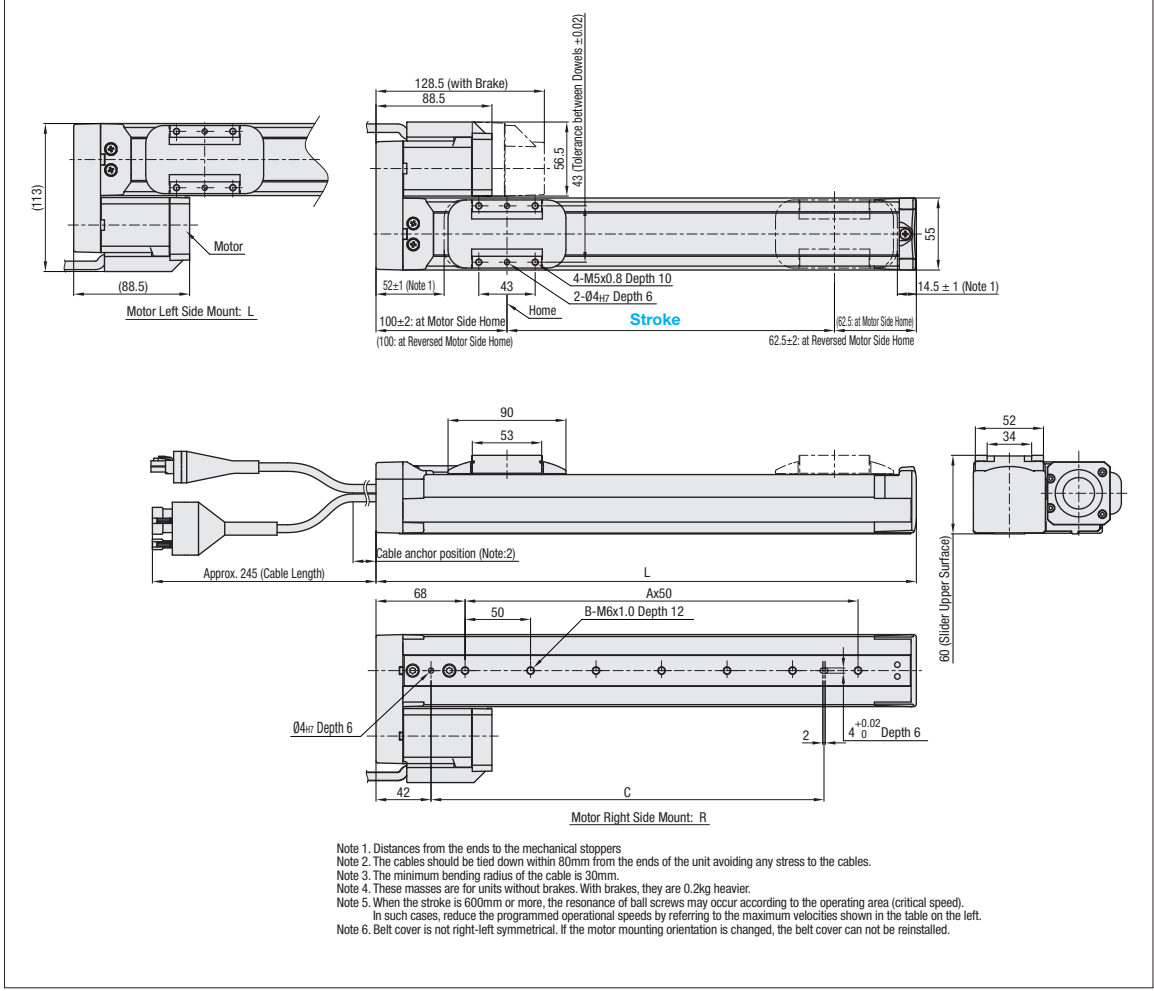
Ball Screw	Motor	Position Detector	Operating Ambient Temperature, Humidity
Ø12 (C10 Rolled)	Stepping	Resolver (Incremental)	0~40°C, 35~85%RH (No Condensation)

Controller Specifications P.497~506

■ **Standard Specifications** FAQ P.503

Type	Lead (mm)	Positioning Repeatability (mm)	Max Load Capacity (kg)		Max. Push Force (N)	Stroke (mm)	Max. Velocity (Note) (mm/sec)	Rated Running Life	Input Power Supply	Maximum Positioning Point
			Horizontal	Vertical						
RS3	06	±0.02	12	4	120	50~800 (50 Pitch)	300~190 600~380 1000~633	10,000 km or More	DC24V ±10%	255 points
	12		8	2						
	20		6	-						

(Note) Maximum velocities allowed may vary depending on the stroke length selected. Please refer to the "Recommended Maximum Velocities" table.



■ **Dimensions / Mass**

Type	Dimensions / Mass	Stroke (mm)															
		50	100	150	200	250	300	350	400	450	500	550	600	650	700	750	800
RS3	L (mm)	212.5	262.5	312.5	362.5	412.5	462.5	512.5	562.5	612.5	662.5	712.5	762.5	812.5	862.5	912.5	962.5
	A (mm)	2	3	4	5	6	7	8	9	10	11	12	13	14	15	16	17
	B (mm)	3	4	5	6	7	8	9	10	11	12	13	14	15	16	17	18
	C (mm)	100	150	200	250	300	350	400	450	500	500	500	500	500	500	500	500
	Mass (kg)	1.7	1.9	2.1	2.3	2.5	2.7	2.8	3.0	3.2	3.4	3.6	3.8	4.0	4.2	4.4	4.6