

Single Axis Robots RS3 - Straight

Components: Actuator, Controller, Cable

Accessory

Controller I/O Specifications			
Accessory	NPN, PNP	CC-Link	DeviceNet
	Instruction Manual (CD-ROM), Power Connector, Dummy Connector		DeviceNet Connector
	-		CC-Link Connector DeviceNet Connector

Robot Material / Surface Treatment

Components	Guide Rail	Slider	Side Cover
M Material	Steel	Aluminum	Aluminum
S Surface Treatment	-	-	Anodize

General Specifications

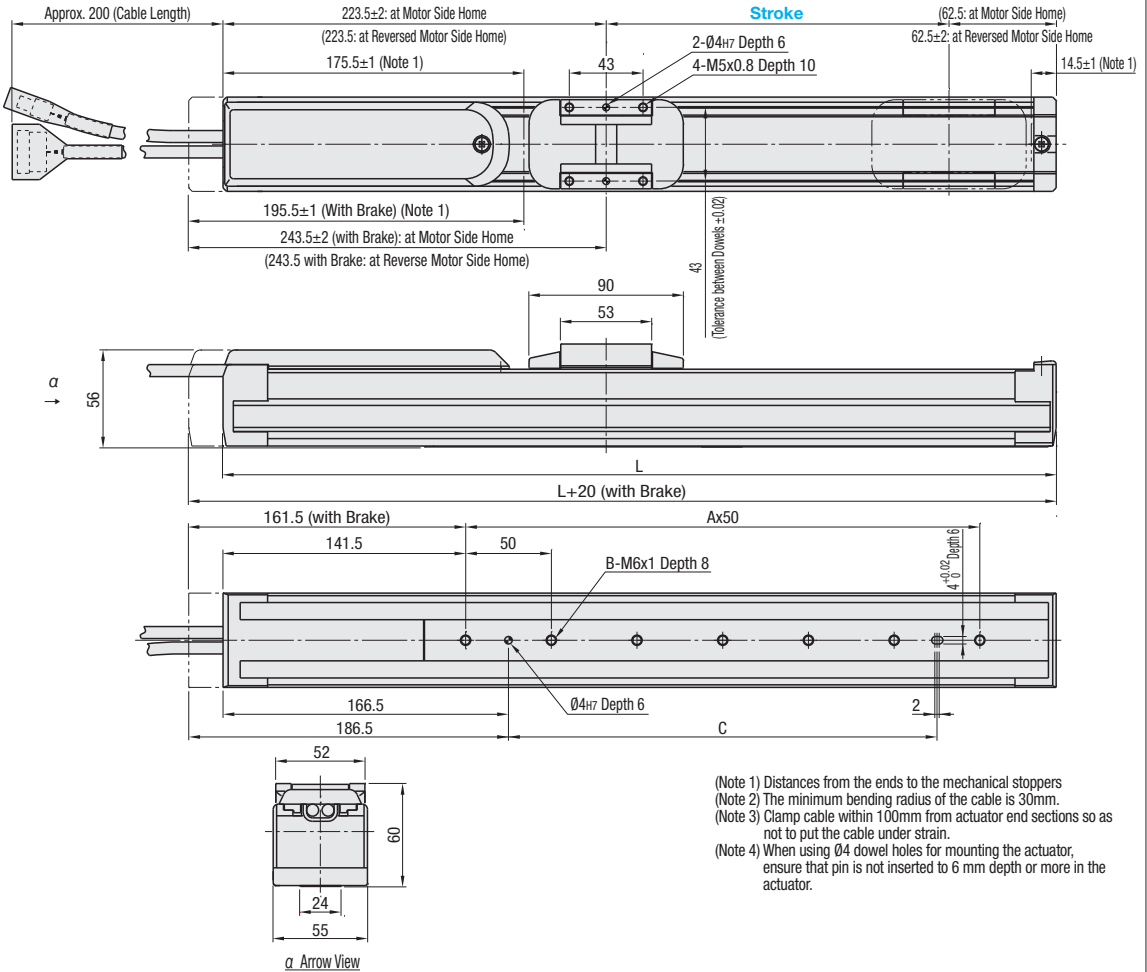
Ball Screw	Motor	Position Detector	Operating Ambient Temperature, Humidity
Ø12 (C10 Rolled)	Stepping	Resolver (Incremental)	0-40°C, 35-85%RH (No Condensation)

Controller Specifications **P497-506** Cycle Time Graph **P455** Clean Room Specifications are available on our website.

Standard Specifications FAQ **P504**

Type	Lead (mm)	Positioning Repeatability (mm)	Max Load Capacity (kg)		Max. Push Force (N)	Stroke (mm)	Max. Velocity (Note) (mm/sec)	Rated Running Life	Input Power Supply	Maximum Positioning Point
			Horizontal	Vertical						
RS3	06	±0.02	12	4	120	50~800 (50 Pitch)	300~190	10,000 km or More	DC24V ±10%	255 points
	12		8	2	60		600~380			
	20		6	-	36		1000~633			

(Note) Maximum velocities allowed may vary depending on the stroke length selected. Please refer to the "Recommended Maximum Velocities" table.



Dimensions / Mass

Type	Dimensions / Mass	Stroke (mm)															
		50	100	150	200	250	300	350	400	450	500	550	600	650	700	750	800
RS3	L (mm)	336	386	436	486	536	586	636	686	736	786	836	886	936	986	1036	1086
	A (mm)	3	4	5	6	7	8	9	10	11	12	13	14	15	16	17	18
	B (mm)	4	5	6	7	8	9	10	11	12	13	14	15	16	17	18	19
	C (mm)	100	150	200	250	300	350	400	450	500	500	500	500	500	500	500	500
	Mass (kg)	2.4	2.6	2.8	3.0	3.2	3.4	3.6	3.8	4.0	4.2	4.4	4.5	4.7	4.9	5.1	5.3