

Oil Free Bushings

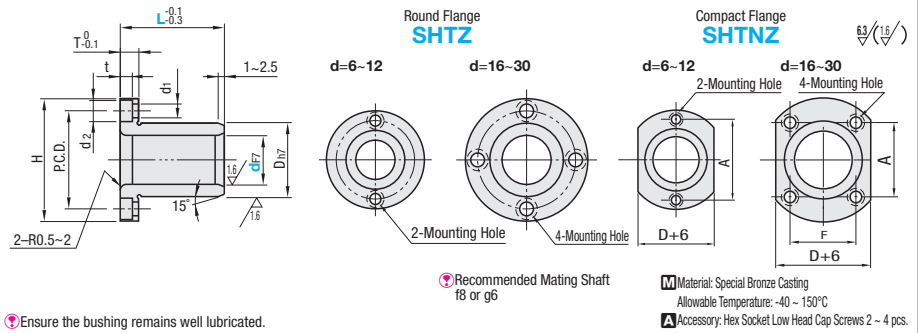
Bronze, Standard Flanged Housing Units / Center Flanged Housing Units (Built-In Copper Alloy Bushings)

■ **Features:** Flange Integrated Oil Free Bushings can reduce the time of assembling.

Standard Flanged



RoHS 10



⚠ Ensure the bushing remains well lubricated.

⚠ Recommended Mating Shaft f8 or g6

⚠ Material: Special Bronze Casting Allowable Temperature: -40 ~ 150°C

⚠ Accessory: Hex Socket Low Head Cap Screws 2 ~ 4 pcs.

Part Number		L										D _{H7}		H	T	t	d ₁	d ₂	P.C.D.	F	A	Accessory: Hex Socket Low Head Cap Screw		
Type	df ₇																							
SHTZ SHTNZ	6	+0.022	15										10	0	25	4	2.2	3.5	6	17	17	M3-10x2		
		+0.010												-0.015										
	8	+0.028	20	25									12	0	27					19	19			
		+0.013			25	30							14	-0.018	29					21	21	M4-12x4		
	12	+0.034			25	30							18		36	5	3	4.5	7.5	26	26			
		+0.016			25	30	35	40					22	0	40					30	18	24	M4-12x4	
	20	+0.041			30	35	40	50					28	-0.021	49	6	3.7	5.5	9	38	22	31	M5-16x4	
		+0.020			30	35	40	50	60				33	0	54				43	25	35			
	25				35	40	50	60	70				38	-0.025	63	8	4.2	6.6	11	50	30	40	M6-20x4	
	30																							

Type	d	Unit Price									
		L15	L20	L25	L30	L35	L40	L50	L60	L70	
SHTZ	6	-	-	-	-	-	-	-	-	-	
	8	-	-	-	-	-	-	-	-	-	
	10	-	-	-	-	-	-	-	-	-	
	12	-	-	-	-	-	-	-	-	-	
	16	-	-	-	-	-	-	-	-	-	
	20	-	-	-	-	-	-	-	-	-	
	25	-	-	-	-	-	-	-	-	-	
	30	-	-	-	-	-	-	-	-	-	

Type	d	Unit Price									
		L15	L20	L25	L30	L35	L40	L50	L60	L70	
SHTNZ	6	-	-	-	-	-	-	-	-	-	
	8	-	-	-	-	-	-	-	-	-	
	10	-	-	-	-	-	-	-	-	-	
	12	-	-	-	-	-	-	-	-	-	
	16	-	-	-	-	-	-	-	-	-	
	20	-	-	-	-	-	-	-	-	-	
	25	-	-	-	-	-	-	-	-	-	
	30	-	-	-	-	-	-	-	-	-	

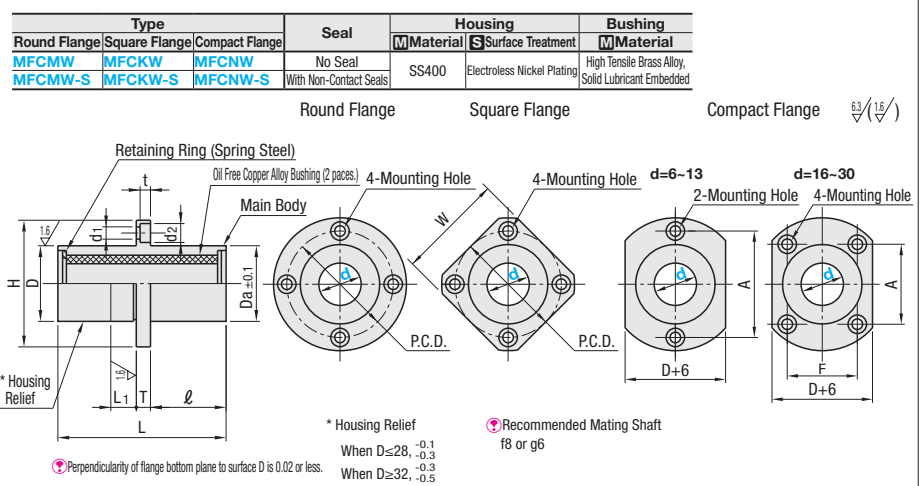
■ **Features:** Suitable for vertical use. Reduces the time of manufacturing and assembling the housing.

Workpiece located near the center of the bushing provides balanced load and clearance on both sides of the flange.

Center Flanged



RoHS 10



⚠ With Non-Contact Seals
Teflon seal of 0.3mm thick is attached on the inner side of each retaining ring.

⚠ Perpendicularity of flange bottom plane to surface D is 0.02 or less.

* Housing Relief
When D ≤ 28, -0.1
-0.3
When D ≥ 32, -0.5

⚠ Recommended Mating Shaft f8 or g6

Type	Part Number	d	Tolerance	D										(No Seal) Unit Price										(With Non-Contact Seals) Unit Price					
				Tolerance		Da	L	L ₁	ℓ	H	T	d ₁	d ₂	t	P.C.D.	W	F	A	Round Flange	Square Flange	Compact Flange	Round Flange	Square Flange	Compact Flange					
																			MFCMW	MFCCKW	MFCNW	MFCMW-S	MFCCKW-S	MFCNW-S					
(No Seal)	Round Flange	6	+0.022	12	0	11.8	37	16	28	5	3.5	6	3.1	20	22	-	20												
	(With Non-Contact Seals)	8	+0.028	15	-0.018	14.8	47	21	32	5				24	25	-	24												
		10	0	19		18.8		40						29	30	-	29												
(No Seal)	Square Flange	12	+0.034	21	0	20.8	57	25.5	42	6	4.5	7.5	4.1	32	32	-	32												
	(With Non-Contact Seals)	13	0	23	-0.021	22.8		43						33	34	-	33												
		16	0	28		27.8	67	30.5	48					38	37	22	31												
(No Seal)	Compact Flange	20	+0.041	32	0	31.6	77	34.5	54	8	5.5	9	5.1	43	42	24	36												
	(With Non-Contact Seals)	25	0	40	-0.025	39.6	108	50	62	10				51	50	32	40												
		30		45		44.6	128	59	74	10	6.6	11	6.1	60	58	35	49												

⚠ For Features of Non-Contact Seal Type, refer to P.393. ⚠ Flanged Height-Adjusting Spacers are selectable from P.330.

