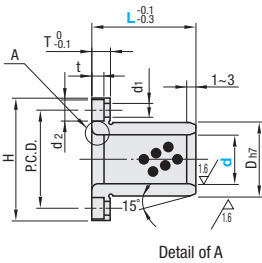


Flange Integrated Oil Free Bushings

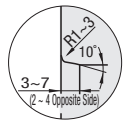
Copper Alloy, Standard Flanged, I.D. F7

■ **Features:** Flange Integrated Oil Free Bushings can reduce the time of assembling.

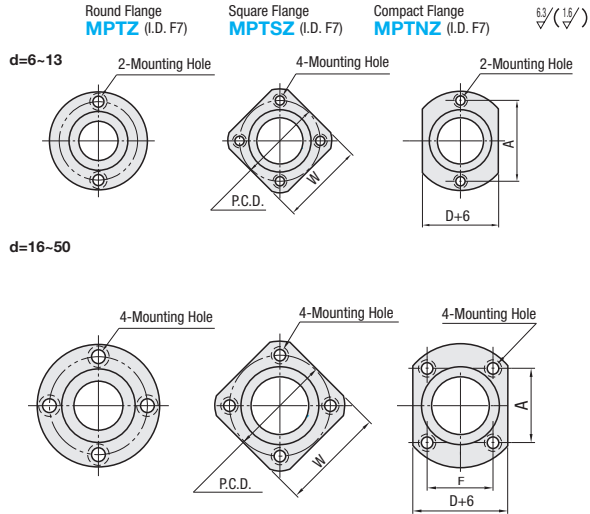
■ **Standard Flanged, I.D. F7**



Detail of A



⊕ Recommended Mating Shaft for I.D. F7 Type
 d8: General Use (High-Load)
 e7: General Use (Light Load)
 f8: High Precision Use
 g6: High Precision Use (Intermittent Operation)



Ⓜ Material: High Tensile Brass Alloy
 Solid Lubricant Embedded
 ⓐ Accessory: Hex Socket Low Head Cap Screws 2 ~ 4 pcs.

Part Number		L		Dh7	H	T	t	d1	d2	P.C.D.	W	F	A	Accessory: Hex Socket Low Head Cap Screw	
Type	df7														
I.D. F7 MPTZ MPTSZ MPTNZ	6	+0.022 +0.010	15	20	10	0 -0.015	25			17	20		17	M3-10x2	
	8	+0.028 +0.013	20	25	12	0	27	4	2.2	19	22		19	* (4)	
	10		20	25	14	0 -0.018	29			21	23		21		
	12		20	25	18		36			26	28		26	M4-12x2	
	13	+0.034 +0.016	20	25	19		37	5	3	4.5	27	29		27	* (4)
	16		20	25	22	0 -0.021	40			30	31	18	24	24	M4-12x4
	20		25	30	28		49	6	3.7	5.5	38	38	22	31	
	25	+0.041 +0.020	30	35	33		54			43	42	25	35	35	M5-16x4
	30		35	40	38	0 -0.025	63	8	4.2	6.6	50	50	30	40	
	35		50	60	44		69			56	54	36	43	43	M6-20x4
	40	+0.050 +0.025	60	70	50		82	10	5.2	9	66	64	38	54	
	50		70	80	62	0 -0.030	94			78	73	50	60	60	M8-25x4

* Values in () are the number of screws included in MPTSZ.

Part Number	Unit Price			d-L	Unit Price			d-L	Unit Price			d-L	Unit Price			
	Type	d-L	MPTZ		MPTSZ	MPTNZ	d-L		MPTZ	MPTSZ	MPTNZ		d-L	MPTZ	MPTSZ	MPTNZ
MPTZ MPTSZ MPTNZ	6-15				13-25				20-40				30-70			
	20				30				50				35-50			
	8-20				35				25-30				60			
	25				16-20				35				70			
	10-20				25				40				40-60			
	25				30				50				70			
	30				35				60				80			
	12-20				40				30-35				50-70			
	25				20-25				40				80			
	30				30				50				100			
	13-20				35				60							

Ordering Example: Part Number - L
 MPTZ12 - 30